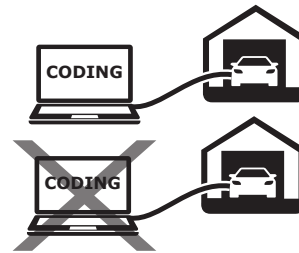


VOLKSWAGEN

Areton (3H7, 3H8)	06/2017 >>
Areton Shooting Break (3H9)	01/2021 >>
Passat (B8, 3G2, 3G5)	11/2014 >> 01/2024
Passat Alltrack (B8, 3G5)	09/2015 >>
Passat (B9, CJ5)	02/2024 >>
Passat GTE	10/2015 >>



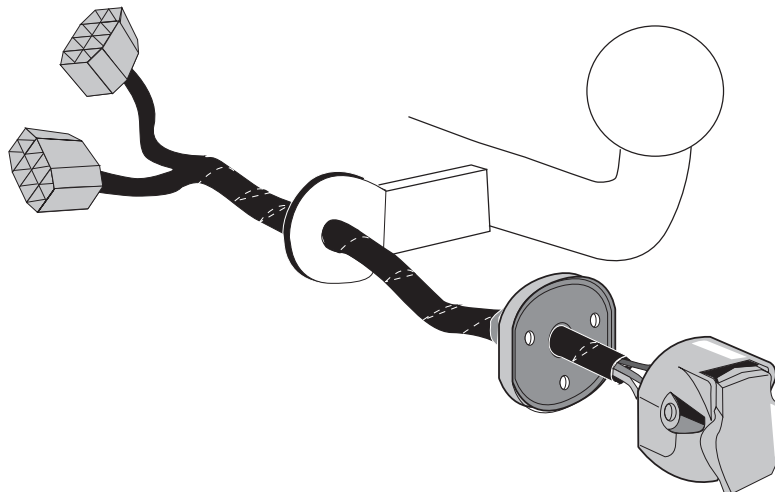
Right Connections Duplex-Kit

Tow bar wiring harness
7pin/ISO1724 including
two different operation-modes

Vehicles with and without trailer preparation!

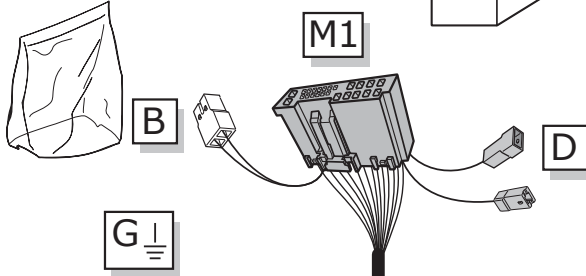
Part No: VW-305-07M

Electric wiring kit for towbars / 7-pin / 12N / 12 Volt / ISO 1724 Fitting instructions



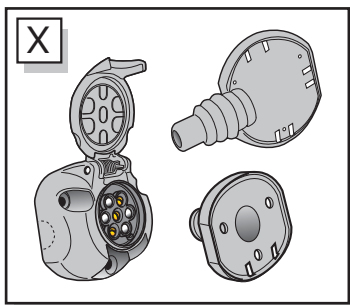
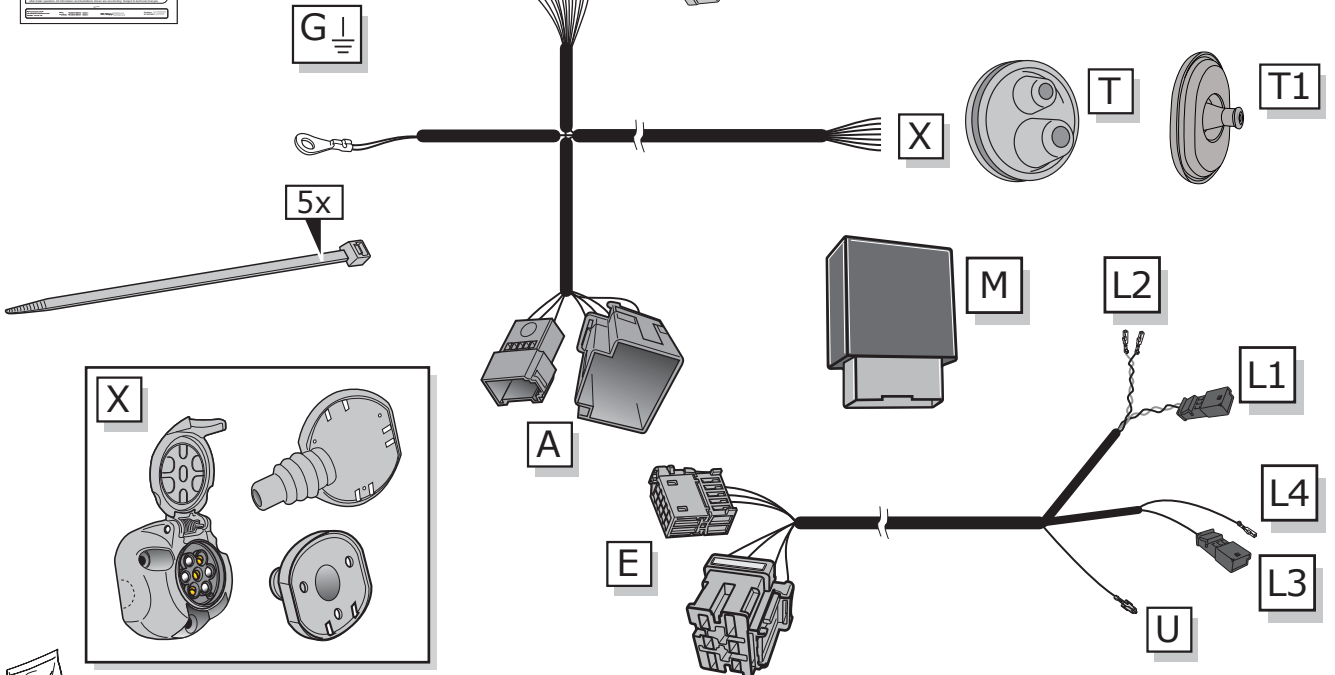
IMPORTANT!

The installation of the towing electrics kit must be carried out by a qualified car technician. No claim can be made for compensation or legal liability in case the kit is improperly installed or modified, in case the vehicle is insufficiently coded, or in case technical changes (software-updates) are made after the towing electrics kit has been put into operation, for example during product recalls by the vehicle manufacturer or OTA maintaining (Over-The-Air software updates). Before installing the towing electrics kit, you must verify the compatibility of the vehicle and the towing electrics kit. Evaluate vehicle fault memory. Only start installation on a fault-free vehicle. Read the fitting instructions completely. In case of questions, please contact technical support: Technical@rightconnect.co.uk and/or 01952 608750 OPT 2. The installation manual contains important information and must be kept with the vehicle service documents after the installation of the towing electrics kit. Vehicle manufacturer diagnostic systems do not have access to the internal fault memory of the trailer module. Error logs in diagnostic processes may be due to improper installation or insufficient coding of the vehicle. If necessary, disconnect the trailer module and repeat the diagnostic process. Limit the time for troubleshooting to a maximum of 0,5 hours and contact technical support in case of any problems. The trailer socket test must be carried out with a suitable test device, a trailer or a load carrier. LED test plugs without load resistors are not suitable for a proper function test. Trailer or load carriers must be equipped with a rear fog light. If a trailer socket adaptor has been used, this must be removed from the trailer socket after trailer operation. All information and illustrations shown are non-binding. Subject to technical changes.

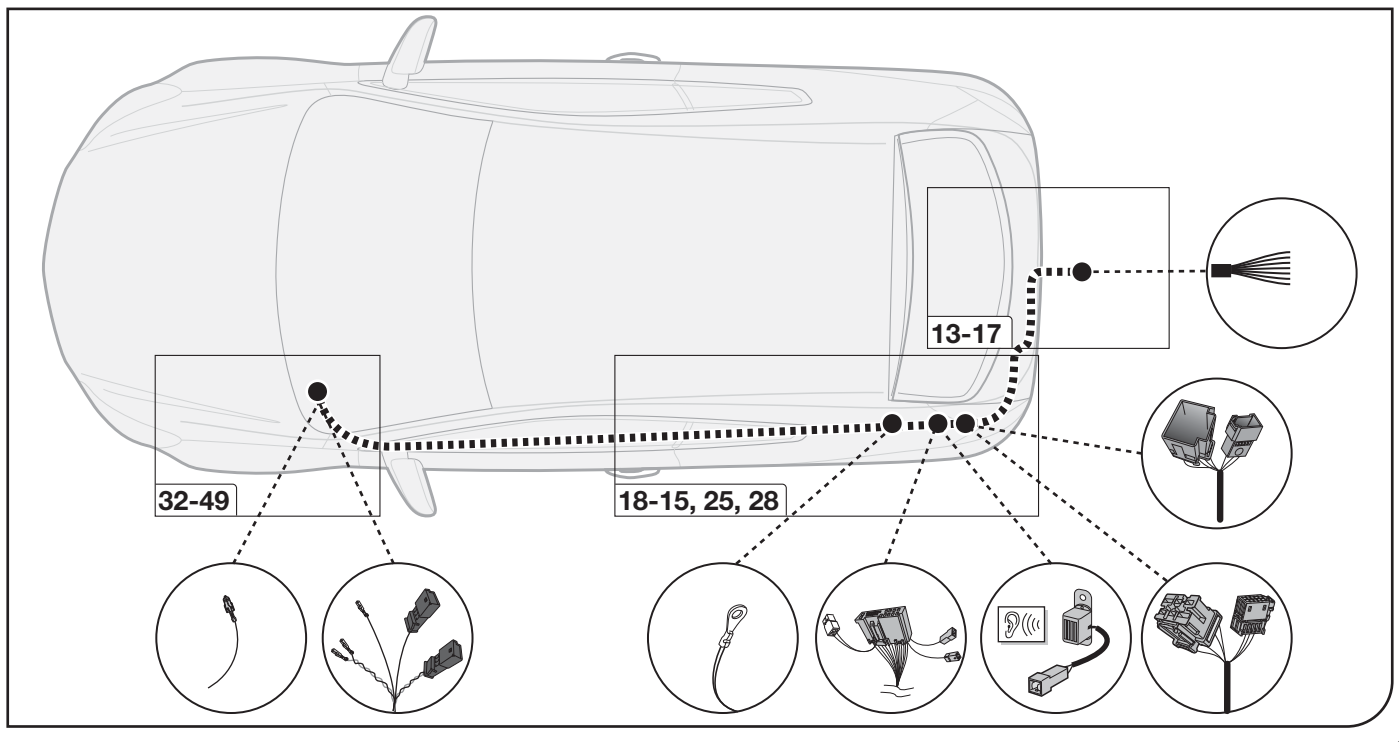


***Option**

Page 25



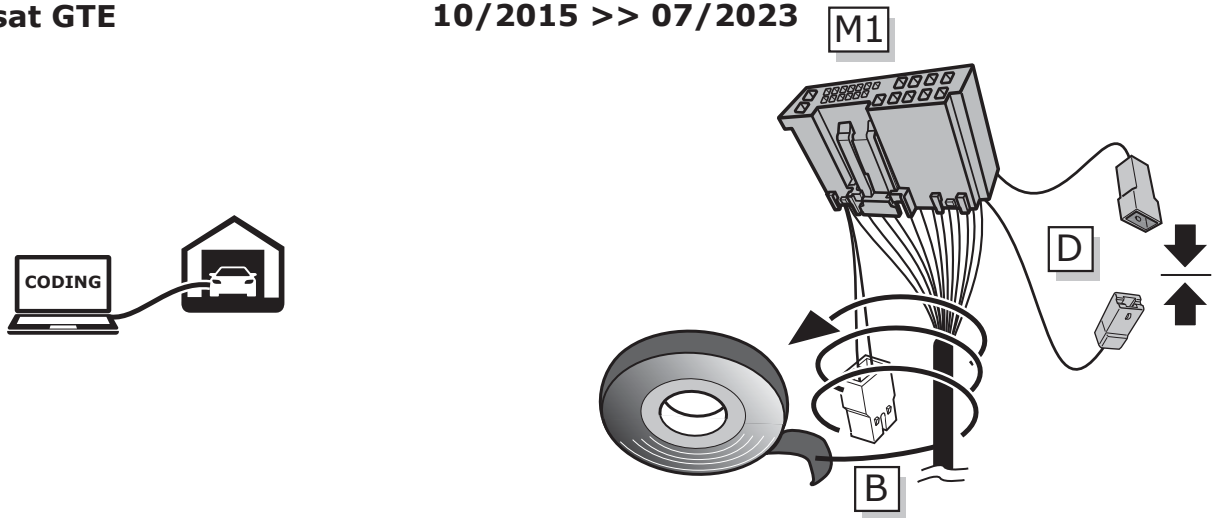
- 3x [Screw]
- 3x [Nut]
- 3x [Washer]
- 1x [20 Amp. Fuse]
- 10x [Terminal Block]
- 2x [Relay]
- 2x [Cover]
- 3x [Terminal Block]
- 1x [PCB]
- B [Speaker]



Duplex-Mode 1 - With Coding (read/write)

INFO

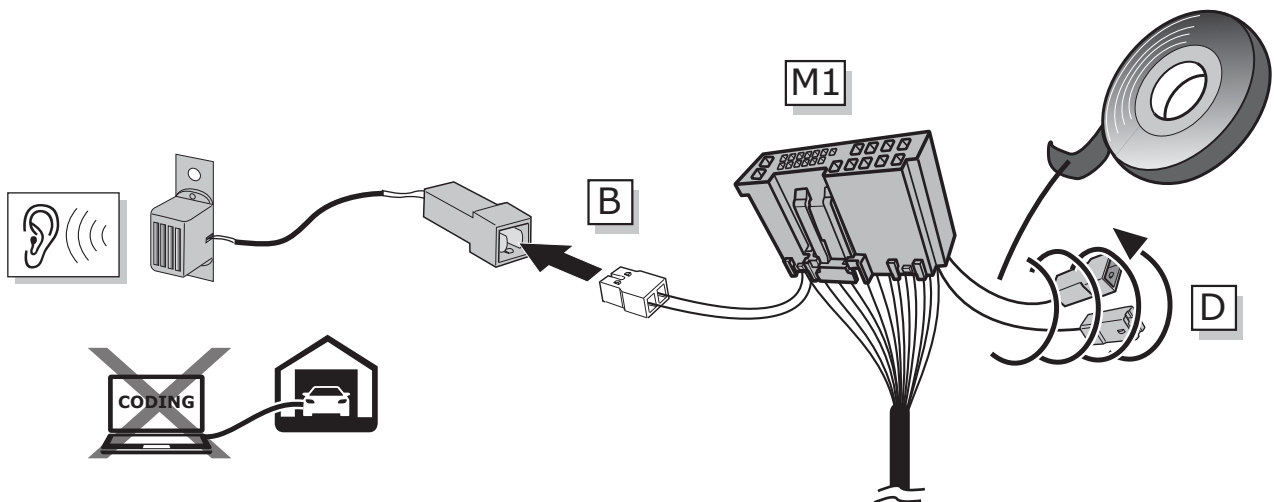
VW Areton (3H7, 3H8)	06/2017 >> 07/2023
VW Areton Shooting Break (3H9)	01/2021 >> 07/2023
VW Passat (B8, 3G2, 3G5)	11/2014 >> 07/2023
VW Passat Alltrack (B8, 3G5)	09/2015 >> 07/2023
VW Passat GTE	10/2015 >> 07/2023



Duplex-Mode 2 - Without Coding (read-only)

INFO

VW Areton (3H7, 3H8)	08/2023 >>
VW Areton Shooting Break (3H9)	08/2023 >>
VW Passat (B8, 3G2, 3G5)	08/2023 >> 01/2024
VW Passat Alltrack (B8, 3G5)	08/2023 >>
VW Passat (B9, CJ5)	02/2024 >>
VW Passat GTE	08/2023 >>



Vehicles with the equipment codes NI1, NI7, NI8, and NI9 currently cannot be coded for trailer operation. The so-called PR codes NI1, NI7, NI8, and NI9 represent an extended protection device from Volkswagen AG (SFD2), which will be implemented starting August 2023 and now affects all models. For vehicles with the aforementioned PR codes, the ECS Duplex installation kit must be installed in read-only mode as described above.

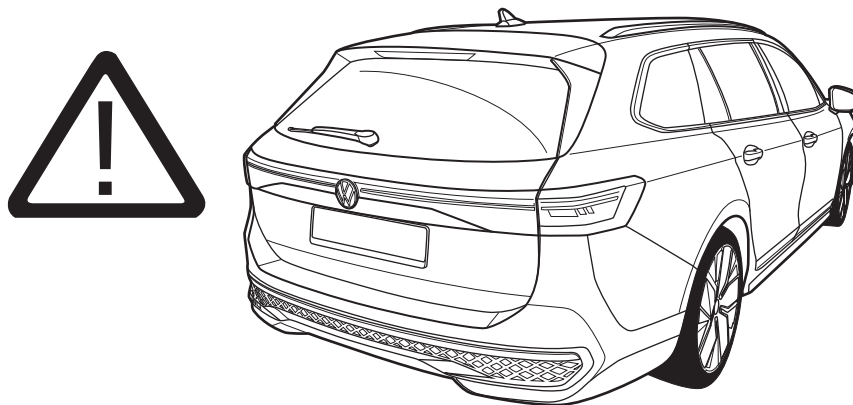
Duplex-Mode 2 - Without Coding (read-only)



Please note:

This wiring kit does not support any vehicle assistance systems in Duplex 2 mode (read-only). Assistance systems may need to be deactivated manually when towing a trailer or load carrier. The rear fog light of the vehicle is not deactivated when towing a trailer. After the towing electrics kit has been put into initial operation, manual deactivation of assistance systems may, in exceptional cases, be subsequently restricted by the vehicle manufacturer through software updates. Any warranty from ECS is expressly excluded in this case. Please contact the vehicle manufacturer.

Duplex-Mode 2 - Without Coding (read-only)



Please note:

The electric tailgate will continue to operate even when a load carrier/trailer/caravan is connected and must be operated manually to avoid damage. Automatic or remote-controlled parking assistance systems must not be used when towing a trailer.

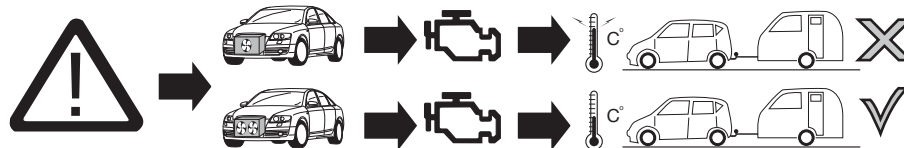
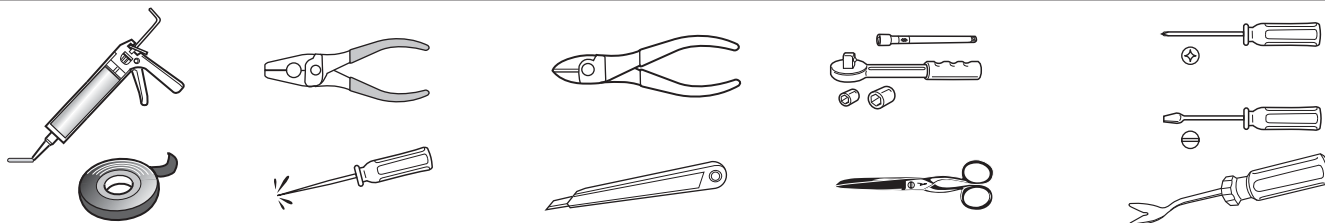
SYMBOL EXPLANATION

58L	Left taillight (58-L)
58R	Right taillight (58-R)
54	Stop light (54) / high mounted, third stop light (54)
	Turn signal indicator left
	Turn signal indicator right
	Rear fog light(s)
	Reversing lights(s)
+30	Permanent power supply / 13pin socket, chamber 9
+15	Charging wire for trailer battery/ 13pin socket, chamber 10
	Trailer / Trailer recognition
+30	Permanent current power supply
+15	Voltage after ignition

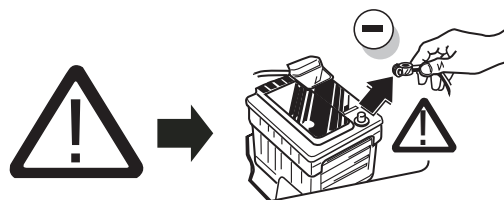
	Ground or Earth (31)
	Ground connection battery terminal lug
	Positive connection battery terminal lug
	Fuse / fuse capacity 20 Amp
	Loudspeaker / buzzer
	Park distance control
	Switch / source of function
	Connect together
	Disconnect
	PDC cut off
	Look carefully at selected area
	Present / Occupied / OK

	Not present / Not occupied / not OK
	Left
	Right
	Acoustic indication
	Attention / important advice
	Reusable
	Trash bin
	Use tape
OPTION	Option
INFO	Information
	Measure the voltage
NO NC COMMON	Normally open Normally close Common

TOOLS



ATTENTION! The vehicle's cooling capacity may have to be increased when retrofitting a trailer coupling! You must observe the manufacturer's instructions!!



Note: It may be necessary to check if this vehicle has a stored radio code before disconnecting the battery!



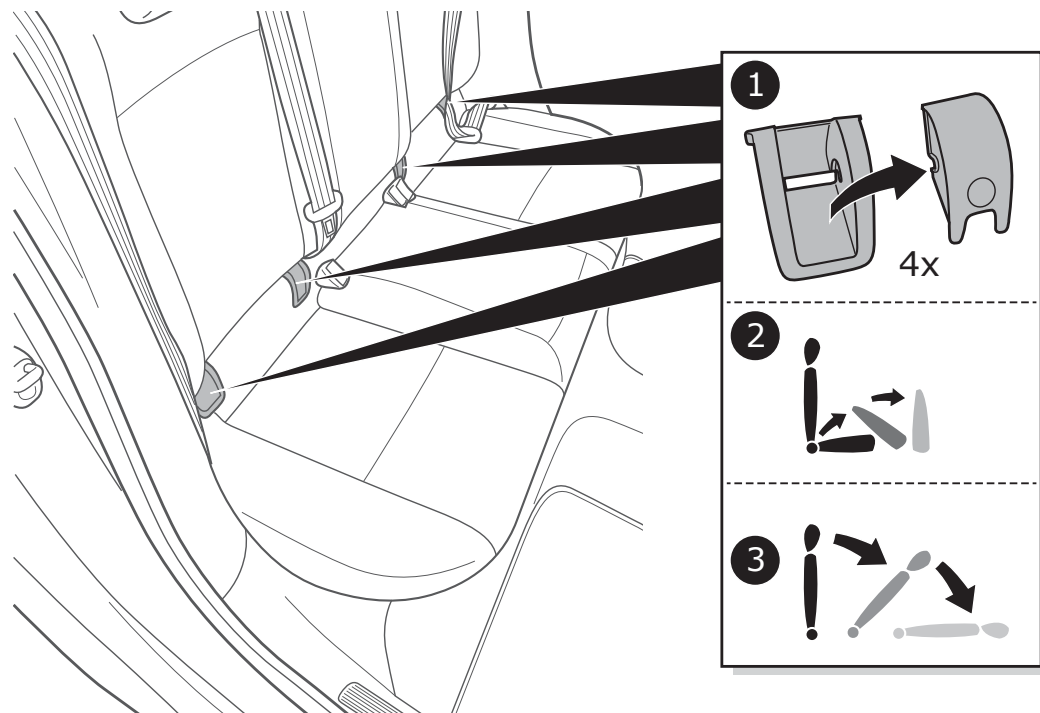
ATTENTION! In order to avoid mal-functions and damage to the vehicle's electrical system the earth terminal **must be disconnected** from the vehicle's battery **before starting work!**

1

Both the trailer module and the vehicle's control unit for the electrical system can be damaged during work on the data bus connections if the battery is not disconnected!

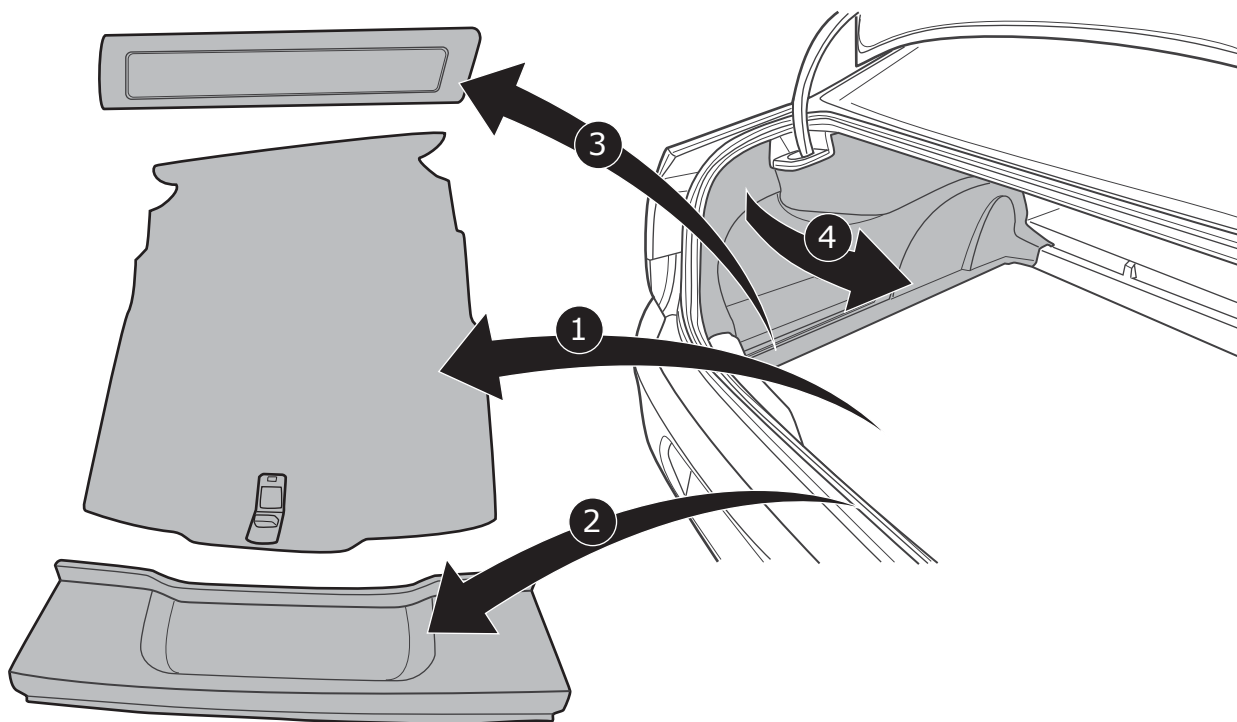
Please pay attention to the manufacturer's instructions when disconnecting and reconnecting the vehicle's battery!

All models



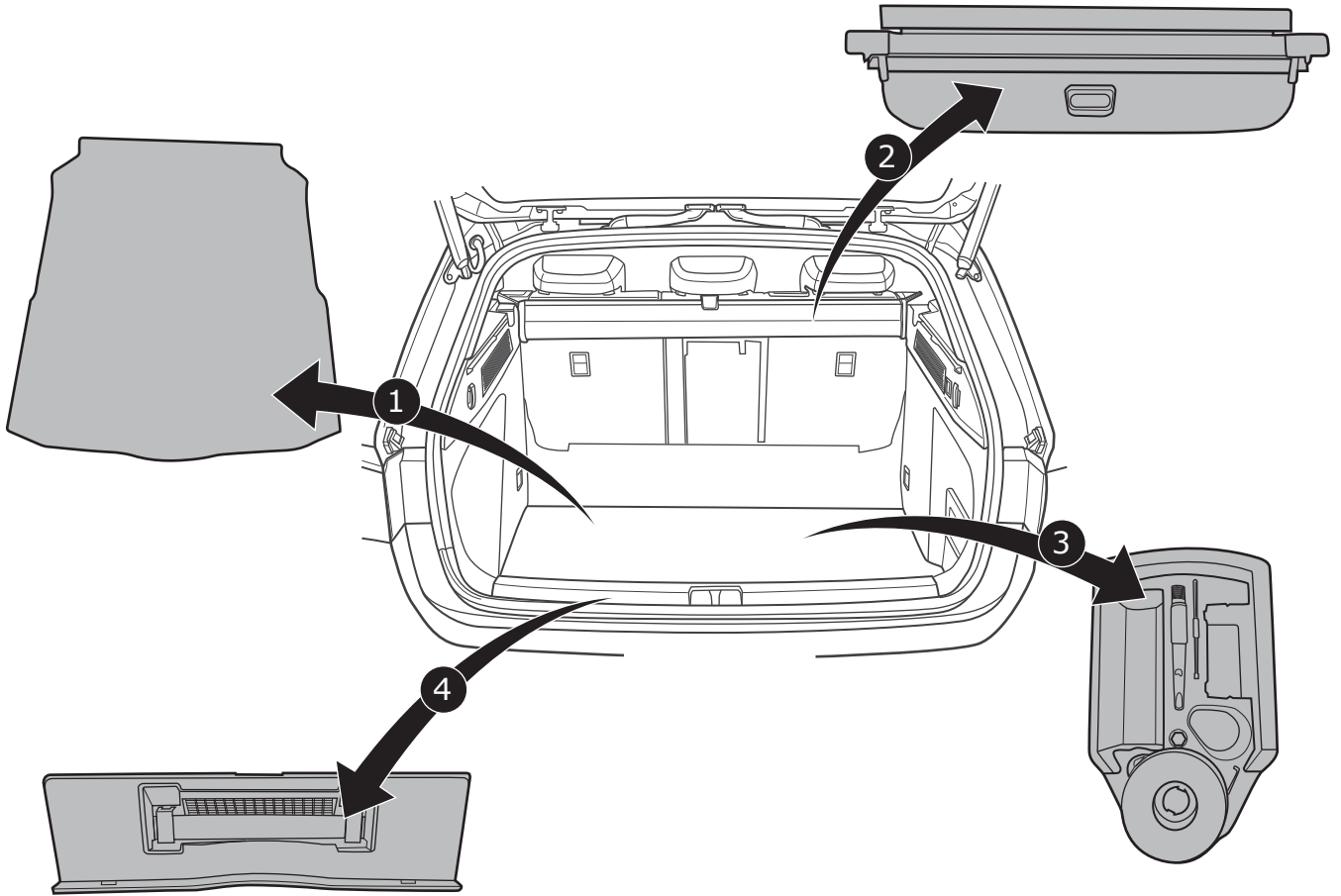
2

Arteon & Saloon



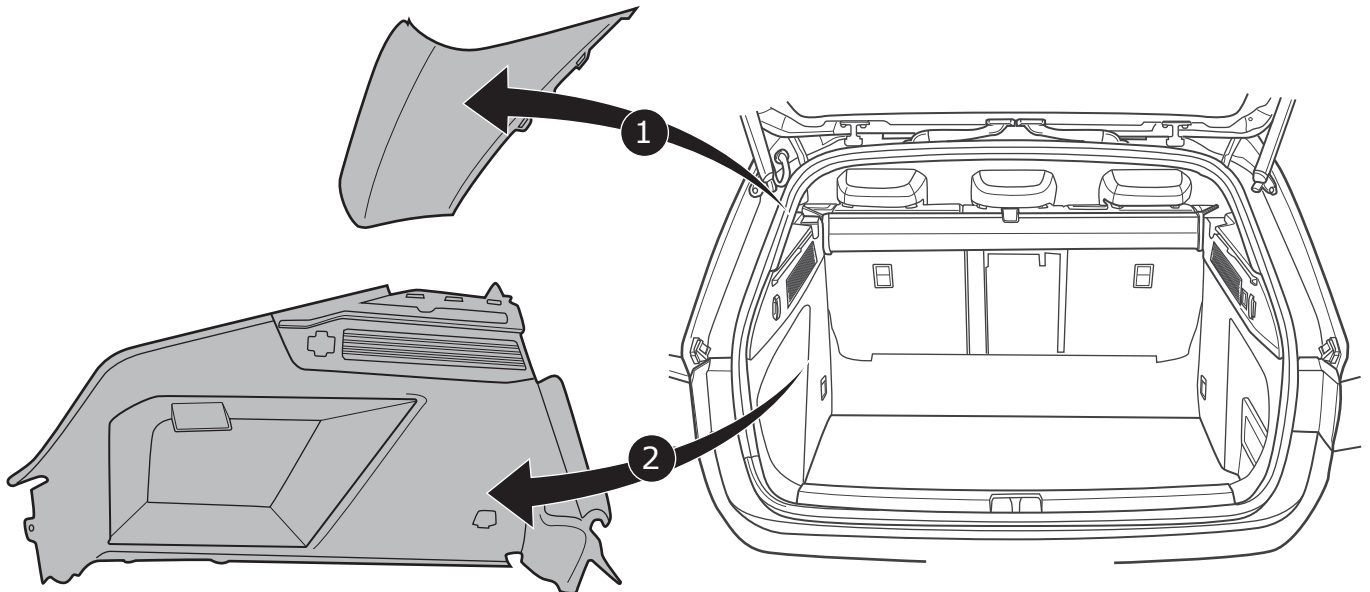
3

Arteon Shooting Break



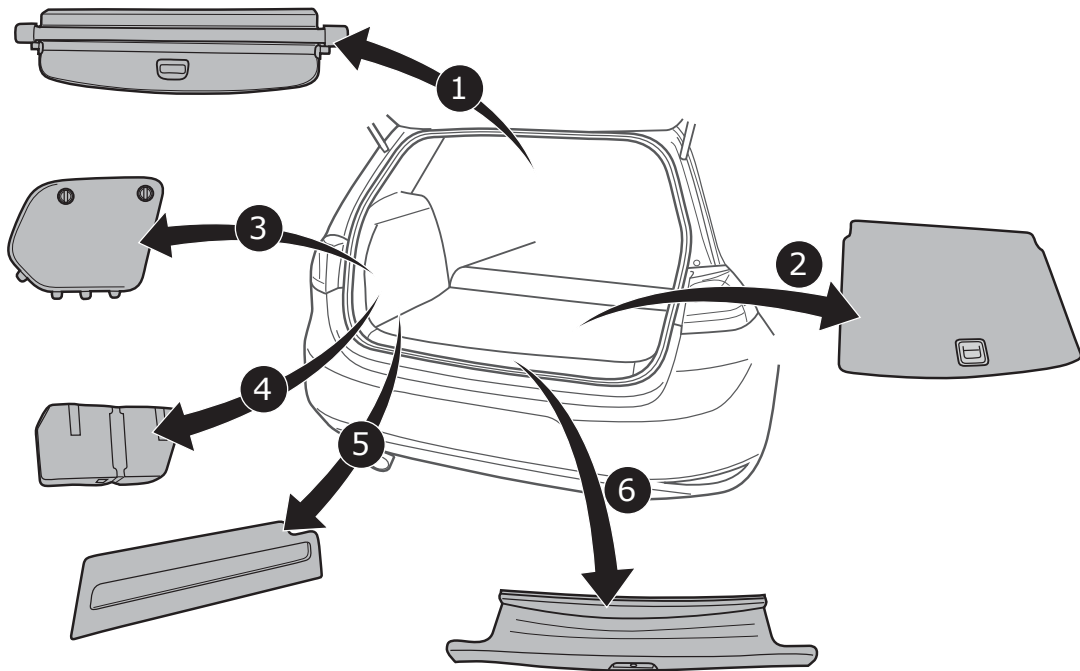
4

Arteon Shooting Break



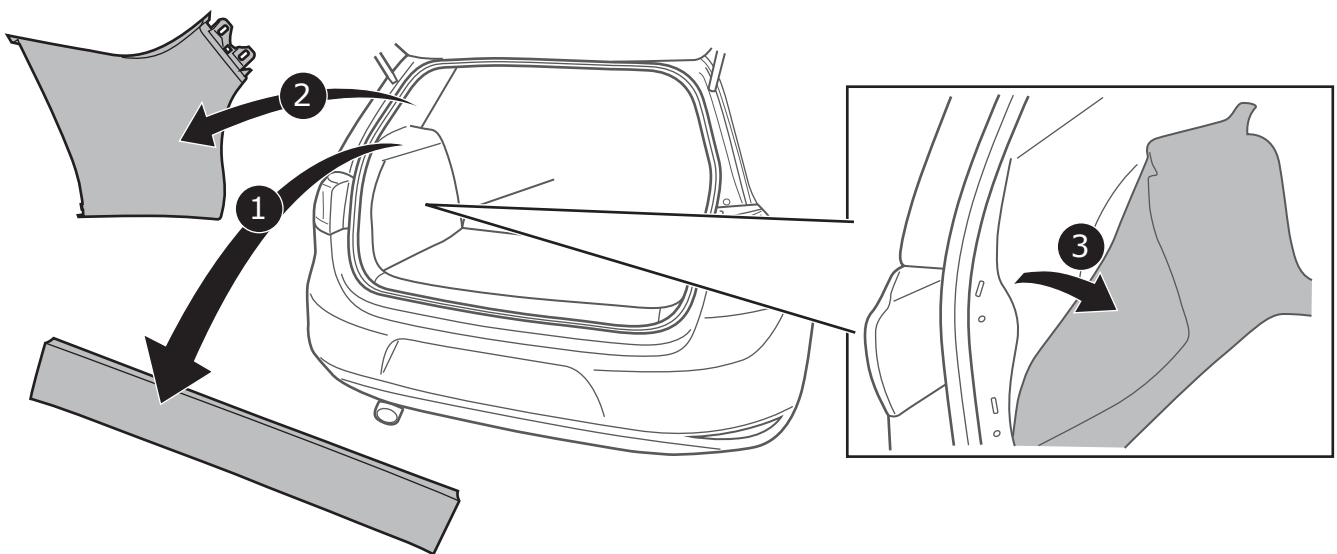
5

Variant & Alltrack



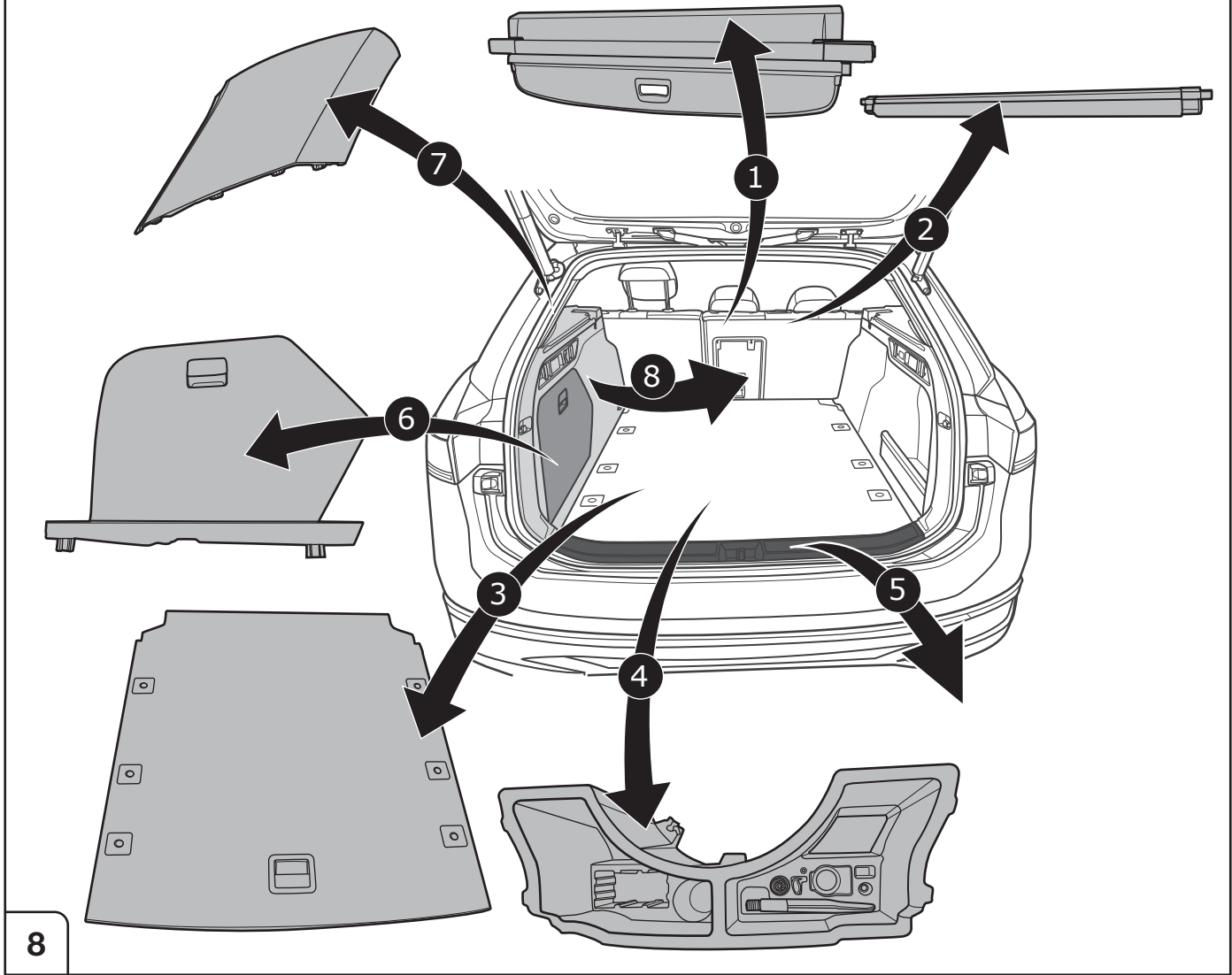
6

Variant & Alltrack

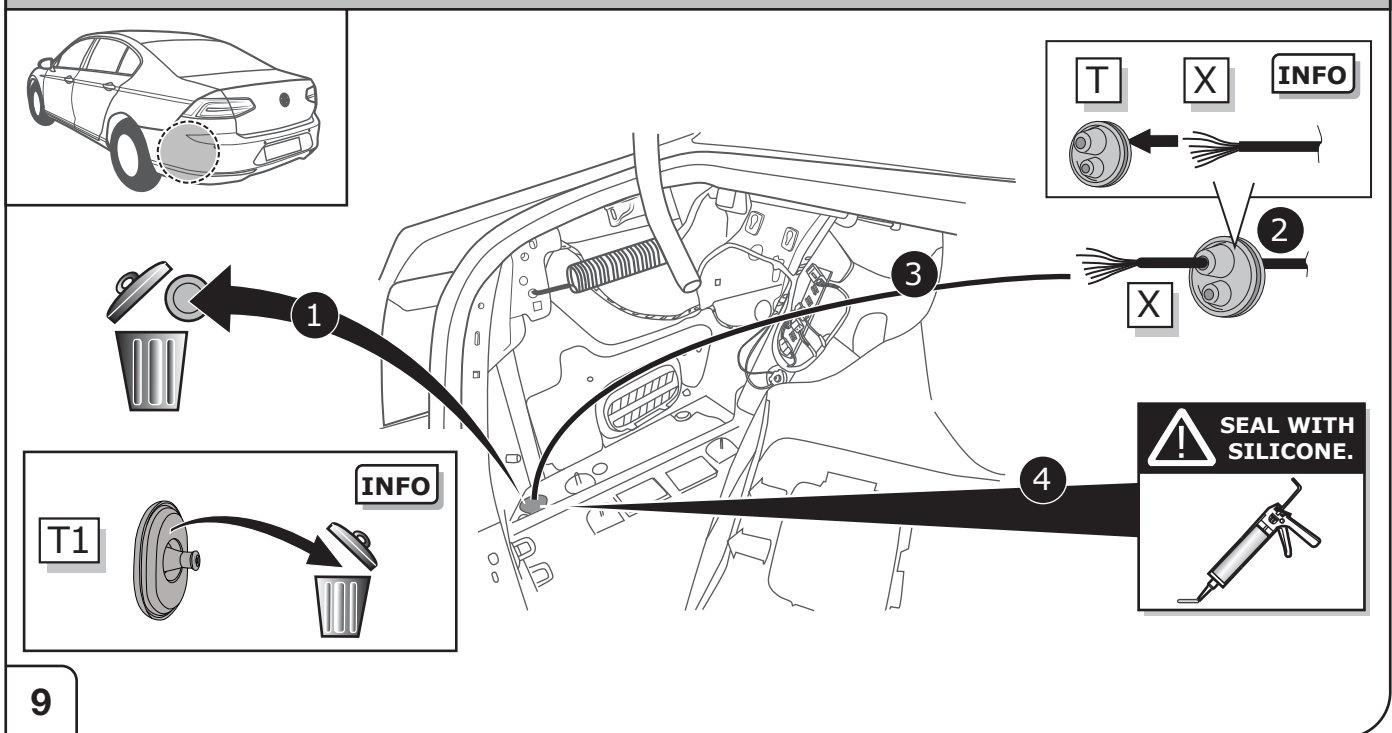


7

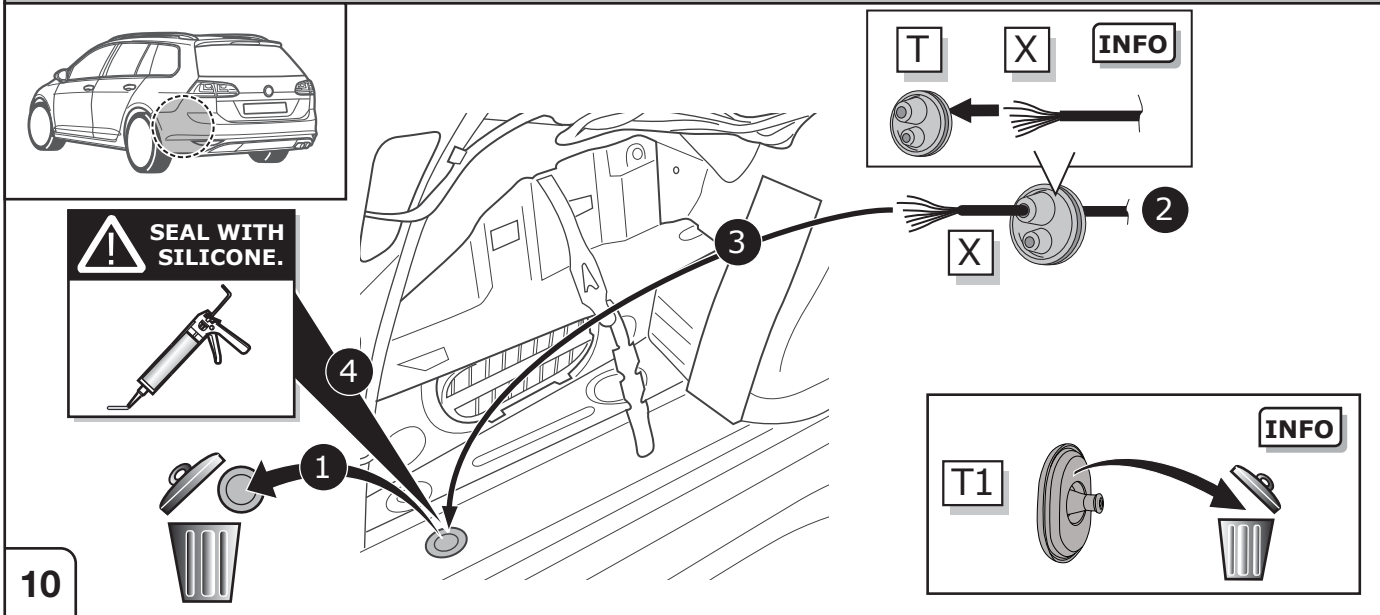
Passat Station (B9)



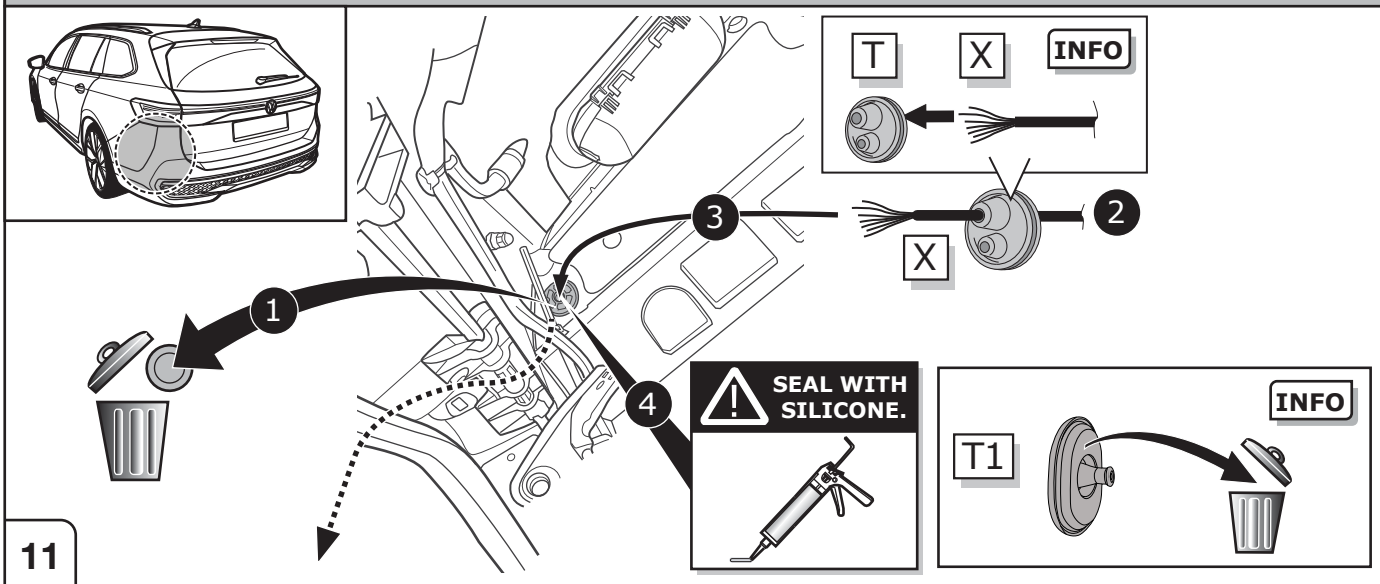
Arteon & Saloon



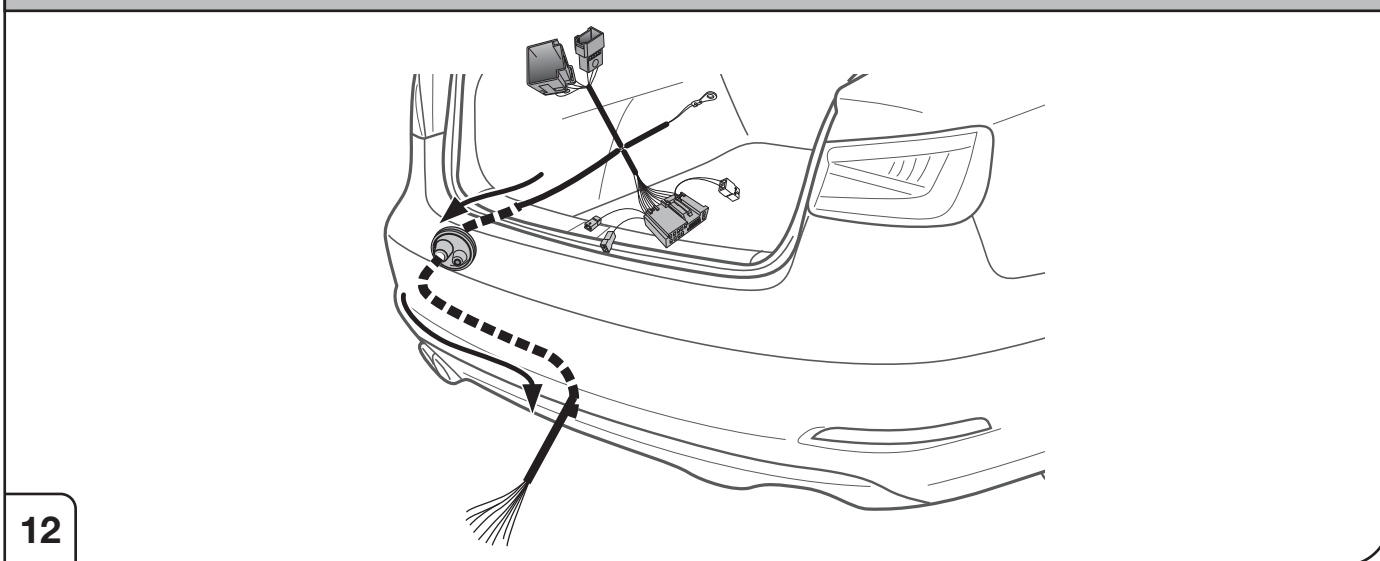
Variant & Alltrack



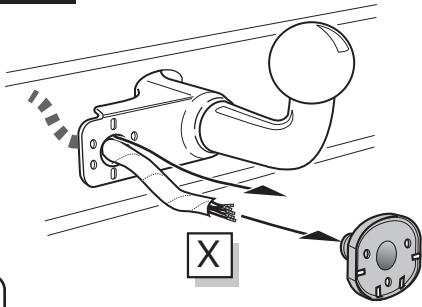
Passat Station (B9)



All models

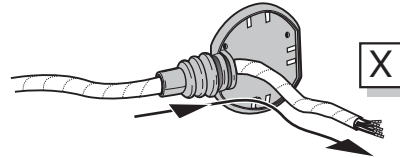


Option 1

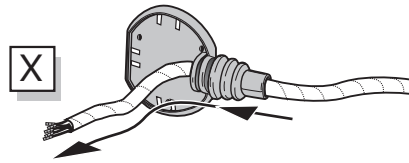


13

Option 2



Option 3



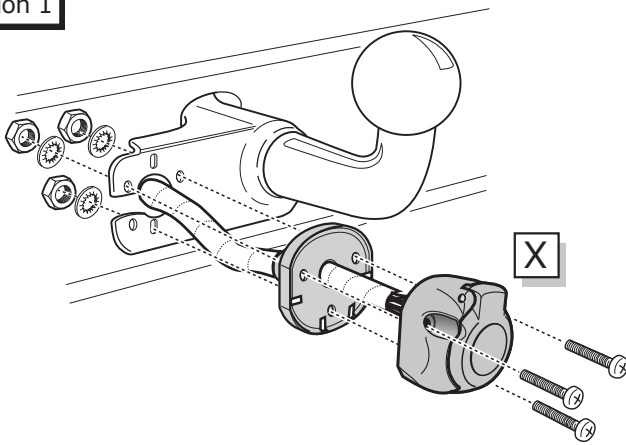
SOCKET CONNECTION



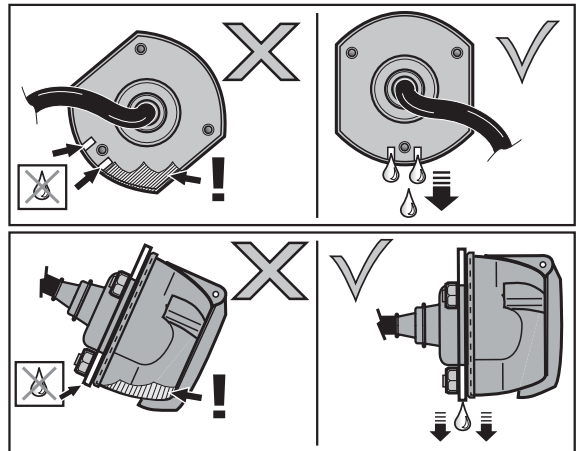
Page 32

14

Option 1

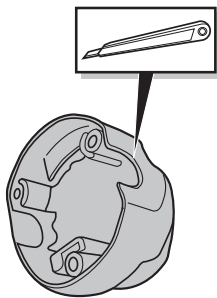


15



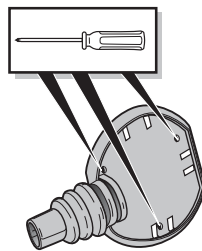
Option 2

1

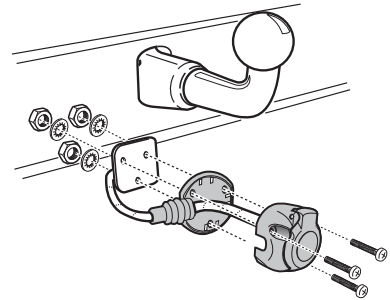


16

2

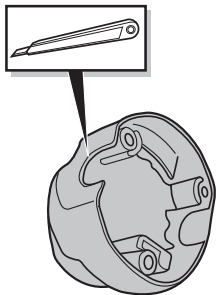


3



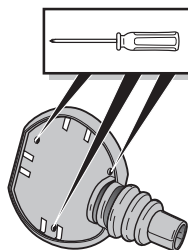
Option 2

1

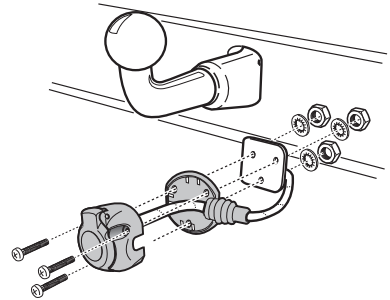


17

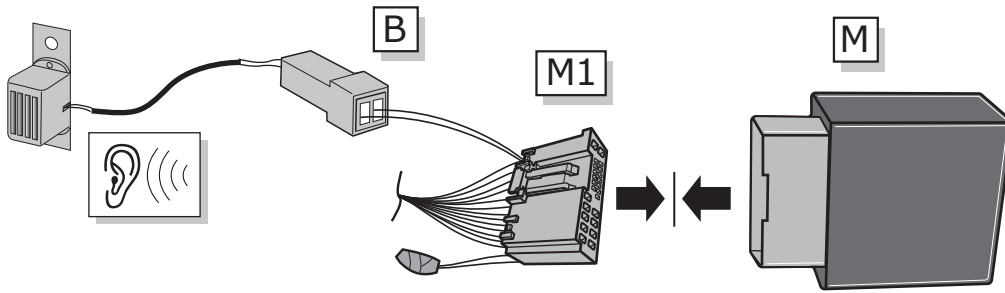
2



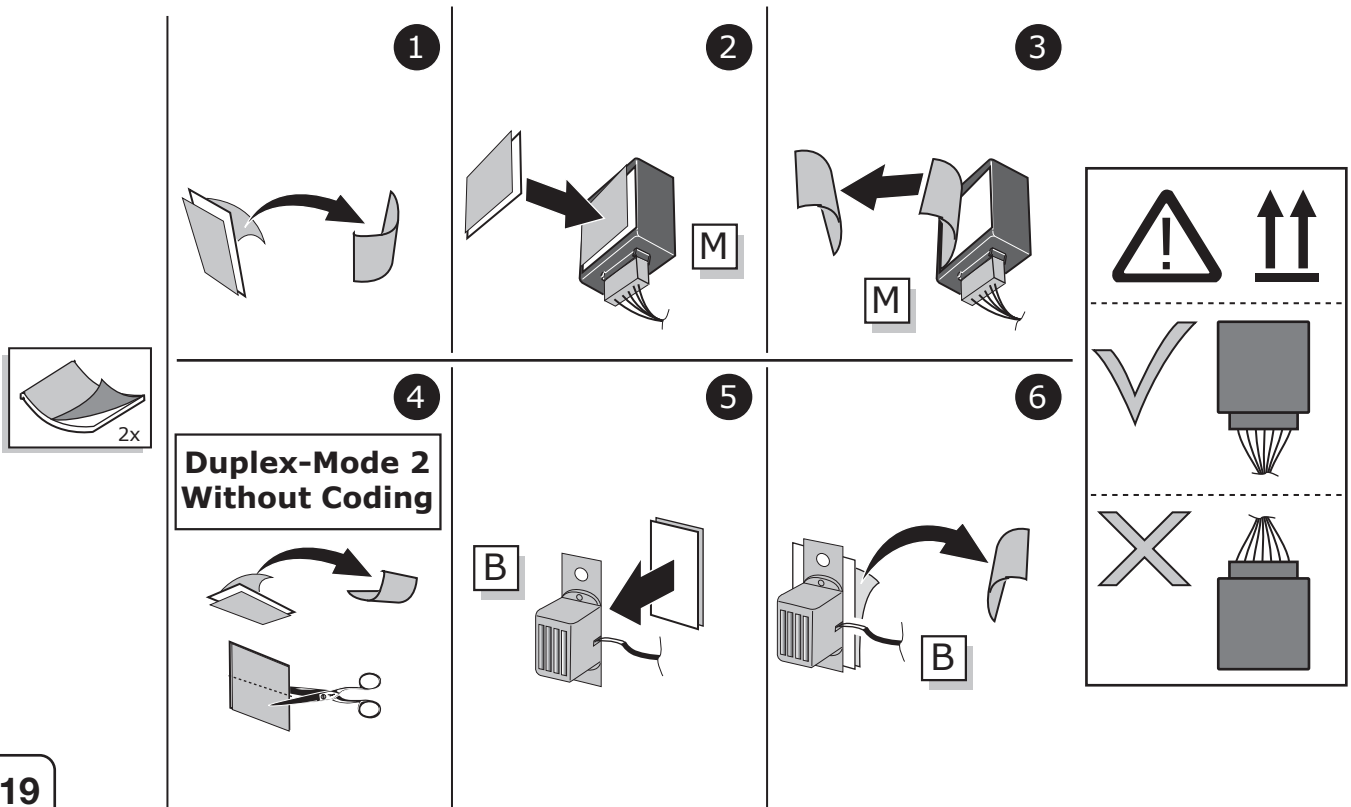
3



Duplex-Mode 2 - Without Coding (read-only)

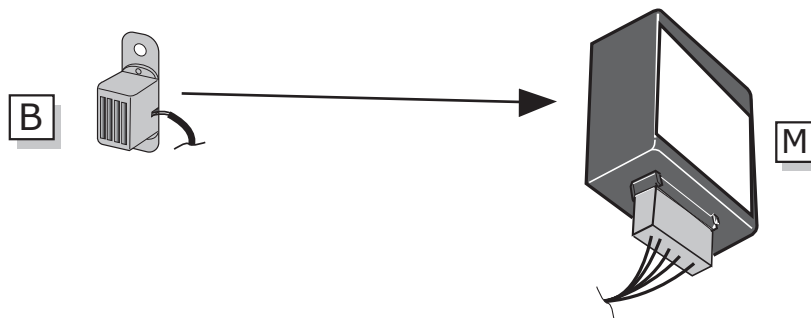


18



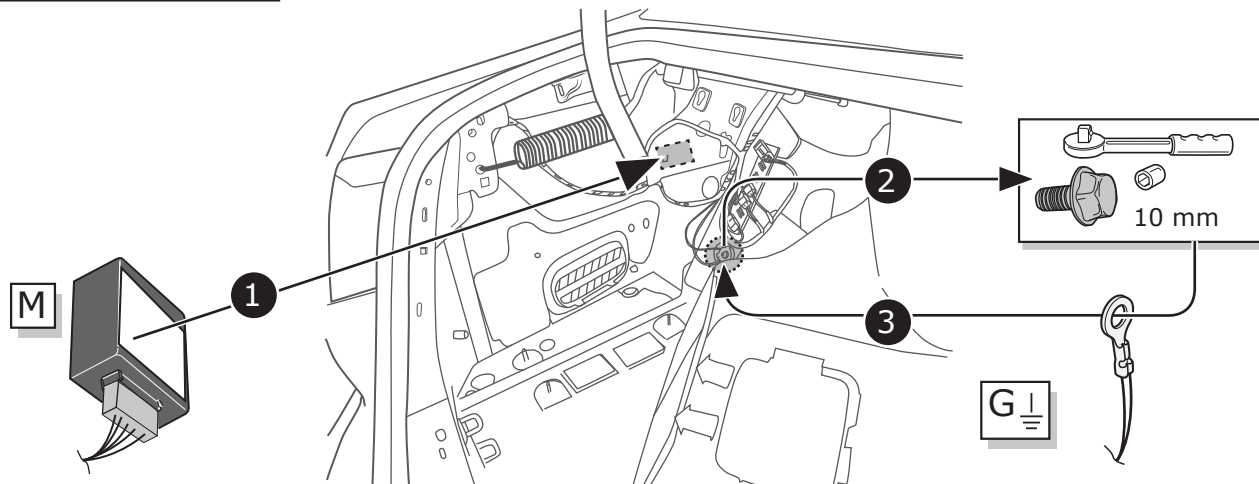
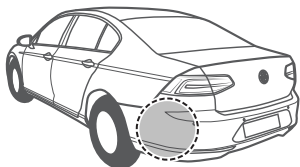
19

Duplex-Mode 2 Without Coding



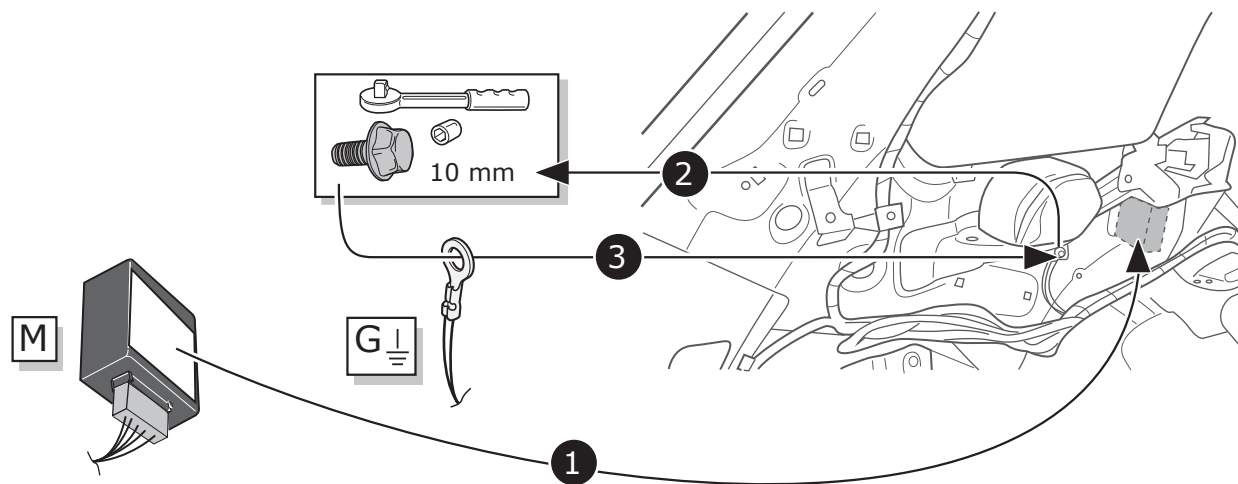
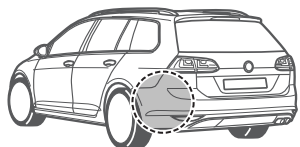
20

Arteon & Saloon



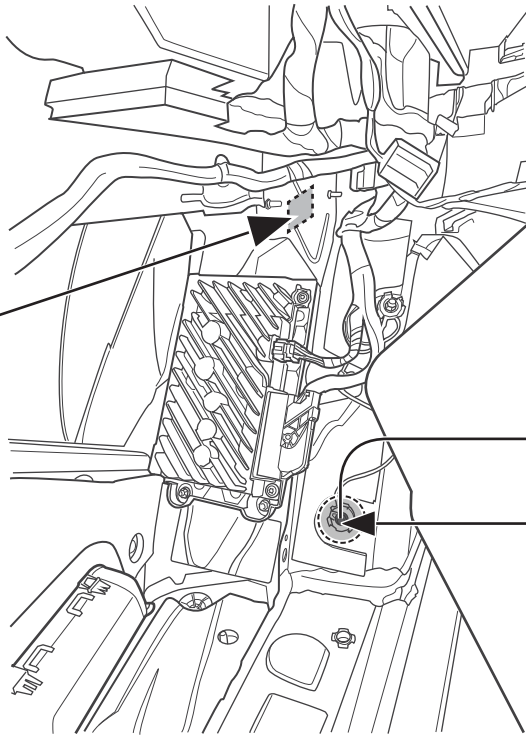
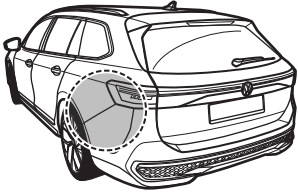
21

Arteon & Saloon

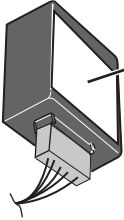


22

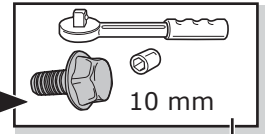
Passat Station (B9)



M



1



2

10 mm

3



G

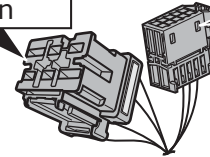
23

All models



Black/Purple
6 pin

Black
10 pin



Vehicles **with** trailer preparation



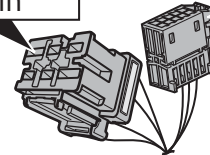
25 → 27

50 → 62



Black/Purple
6 pin

Black
10 pin



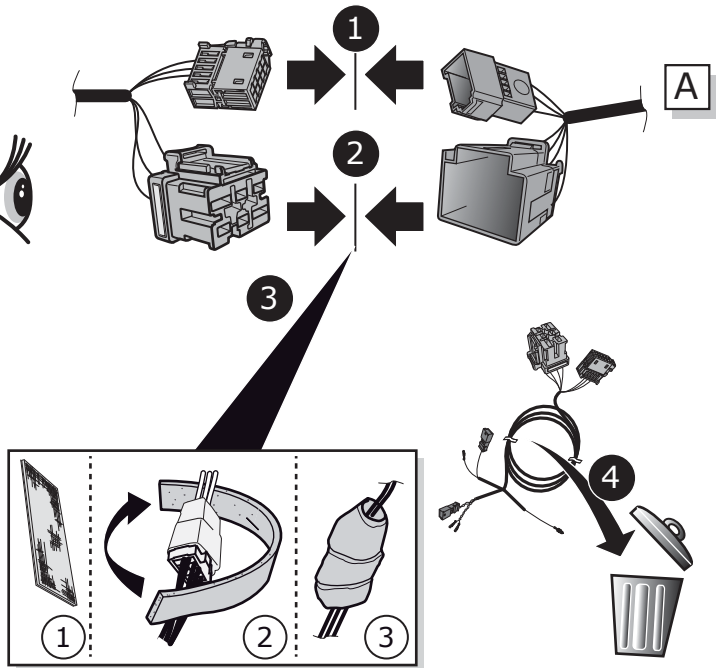
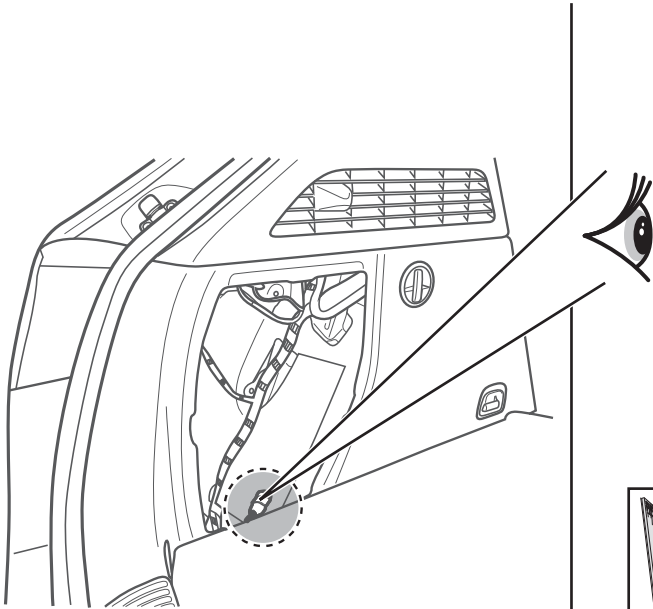
Vehicles **without** trailer preparation



28 → 62

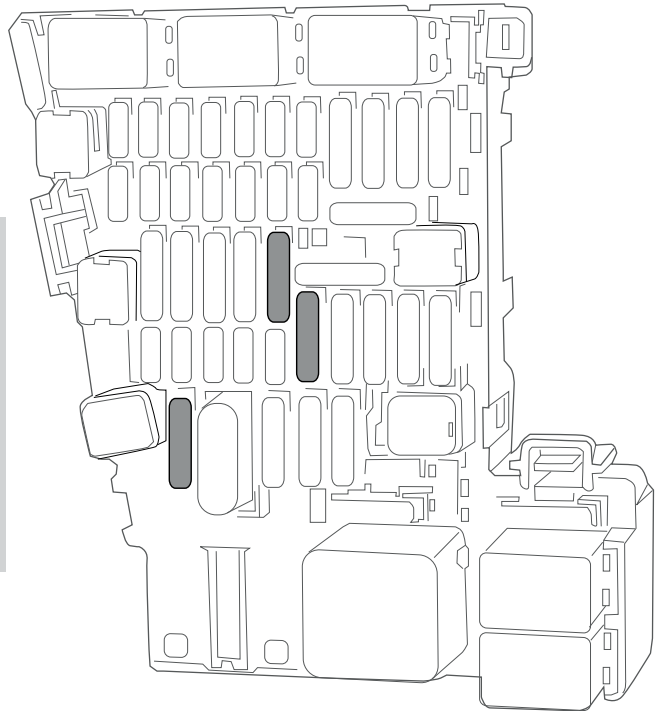
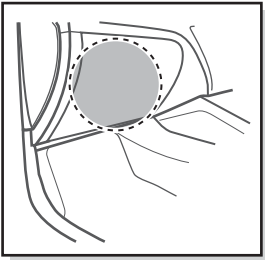
24

Vehicles **with** trailer preparation



25

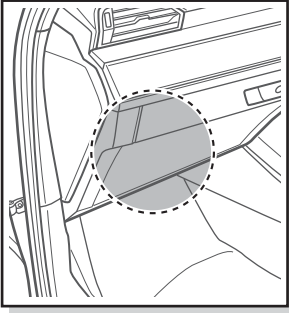
Vehicles **with** trailer preparation



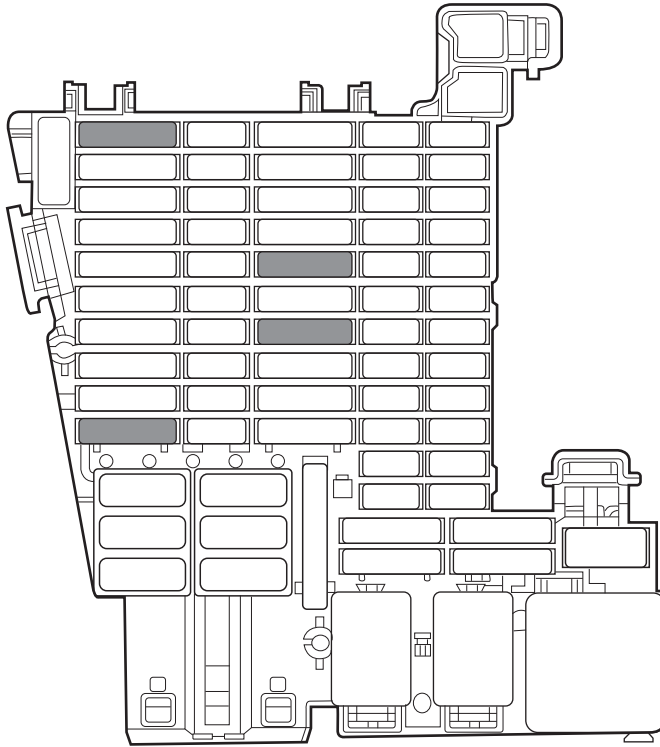
- Passat Saloon**
- Passat Variant**
- Passat Alltrack**
- Arteon**
- Arteon Shooting Break**
- Passat GTE Plug-in-Hybrid**
- Passat GTE Variant Plug-in-Hybrid**

26

Vehicles **with** trailer preparation

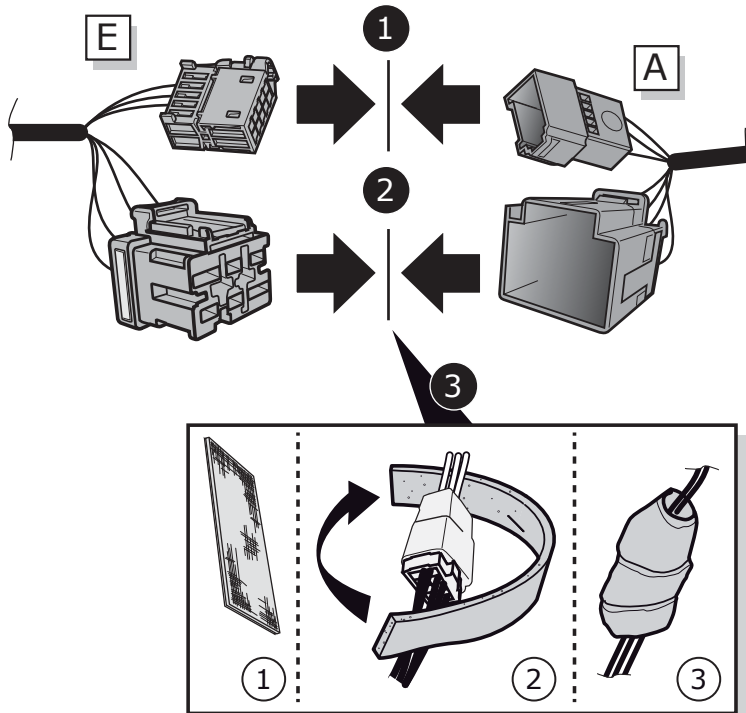
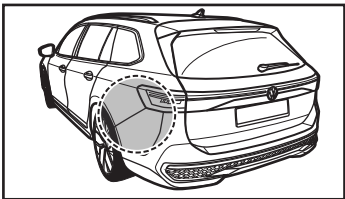
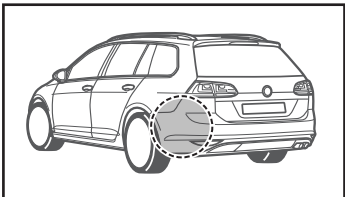
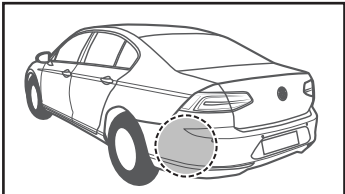


Passat Station (B9)



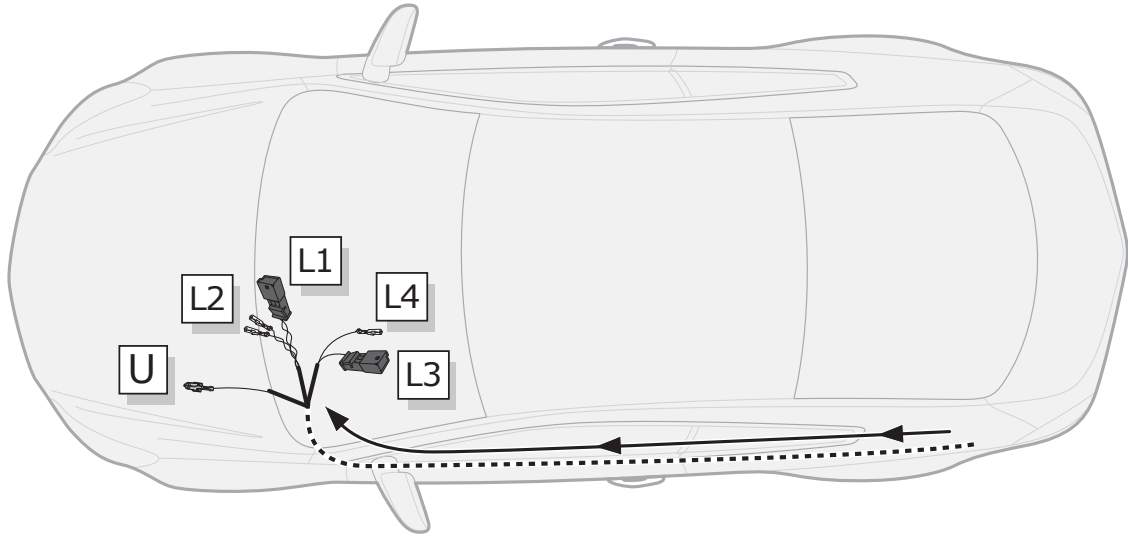
27

Vehicles **without** trailer preparation



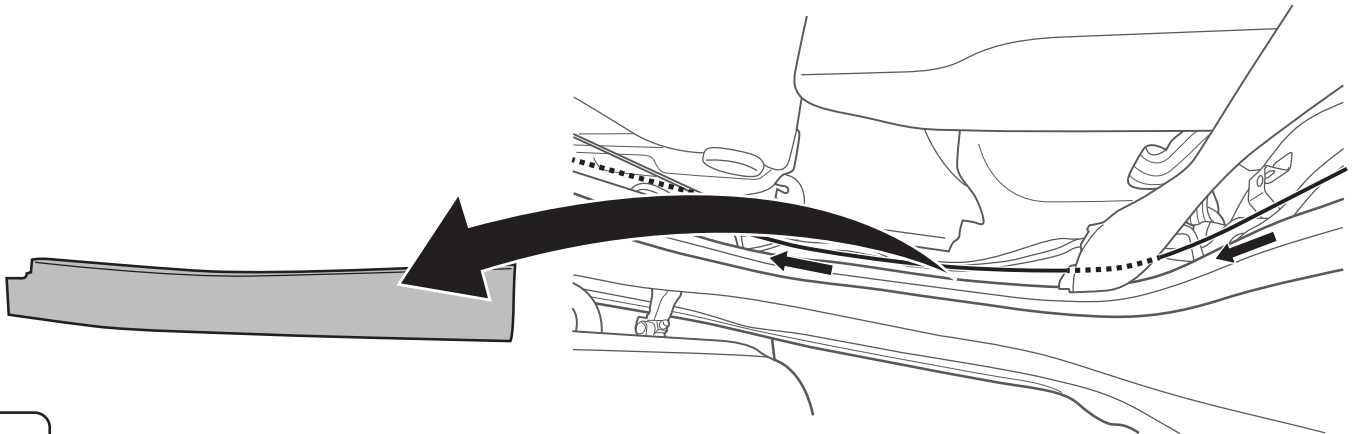
28

Vehicles **without** trailer preparation



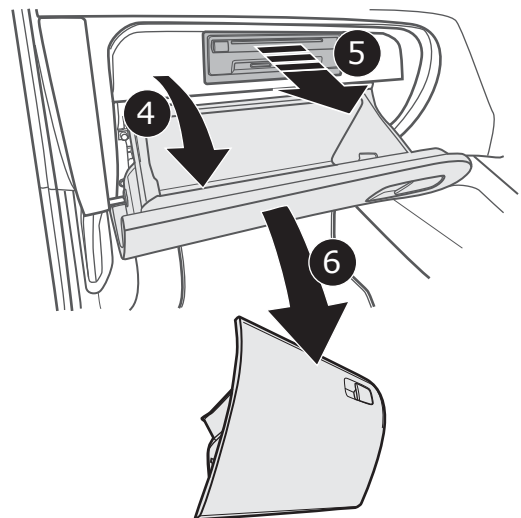
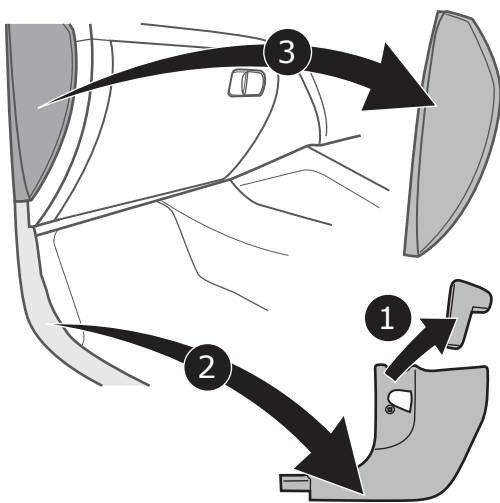
29

Vehicles **without** trailer preparation



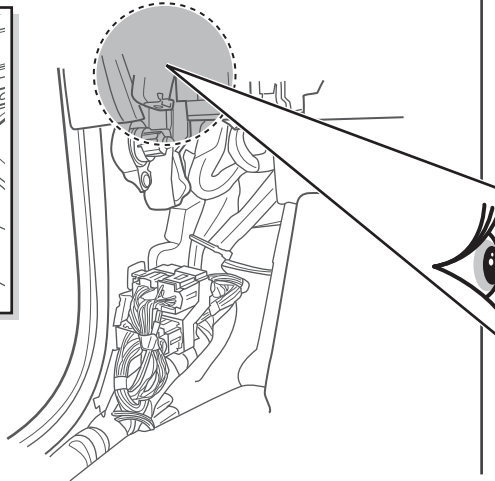
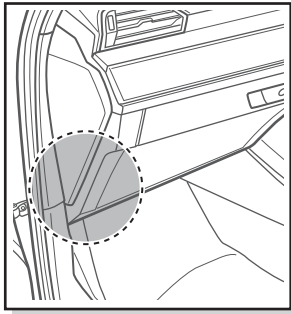
30

Vehicles **without** trailer preparation

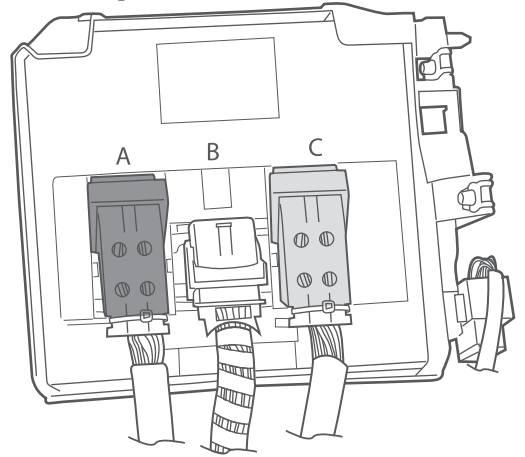


31

Vehicles **without** trailer preparation



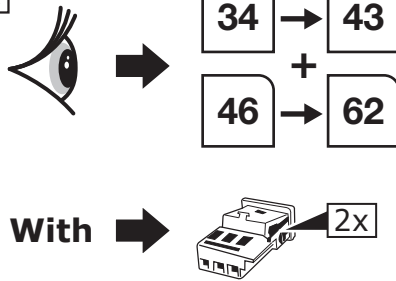
Body Control Module



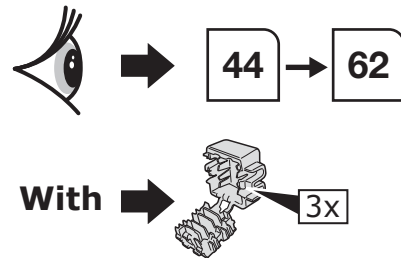
32

Vehicles **without** trailer preparation

CANbus
OPTION A



CANbus
OPTION B

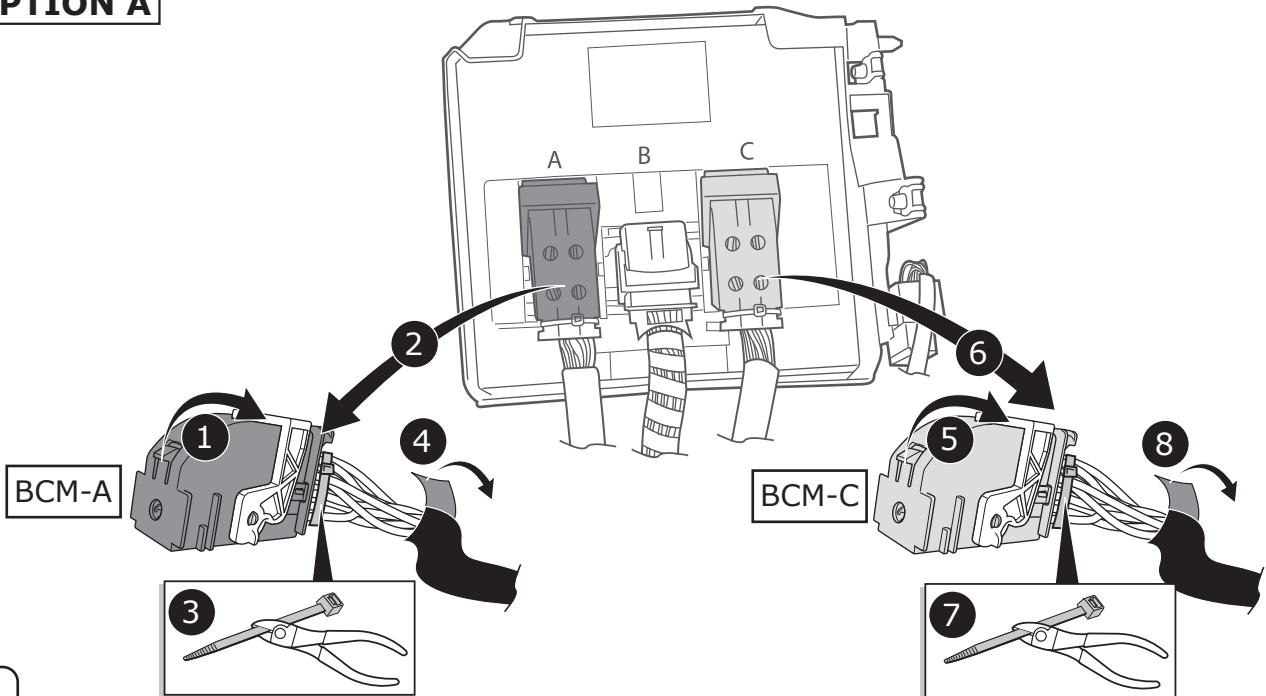


33

Vehicles **without** trailer preparation

CANbus
OPTION A

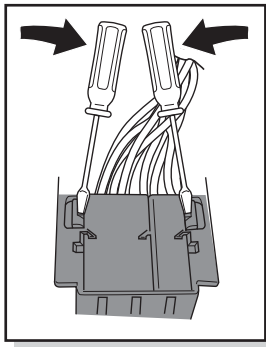
Body Control Module



34

Vehicles **without** trailer preparation

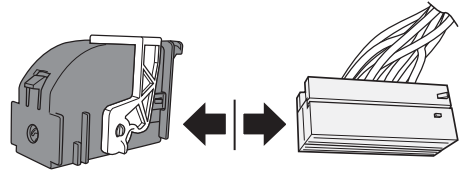
CANbus
OPTION A



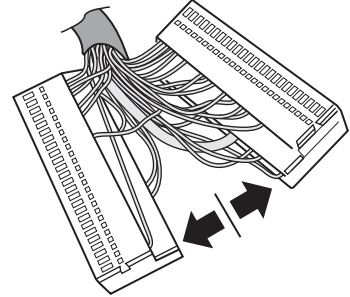
BCM-A

1

2



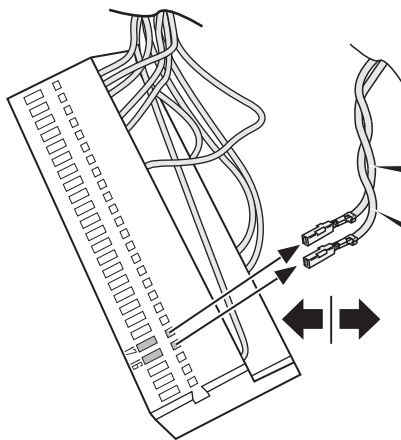
3



35

Vehicles **without** trailer preparation

CANbus
OPTION A



BCM-A

CAN L Orange/Brown
Pos. 17

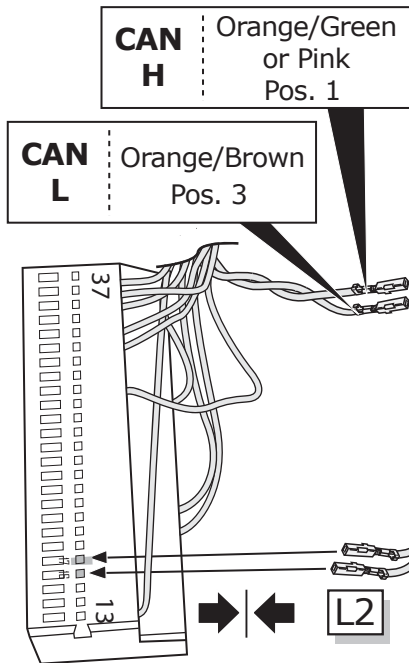
CAN H Orange/Green
or Pink
Pos. 16

Can-bus
Datawire

36

Vehicles **without** trailer preparation

CANbus
OPTION A



BCM-A

CAN H Orange/Green
or Pink
Pos. 1

CAN L Orange/Brown
Pos. 3

Orange/Brown
Pos. 1

1

3

L1

Orange/Green
Pos. 2

Orange/Brown
Pos. 17

Orange/Green
Pos. 16

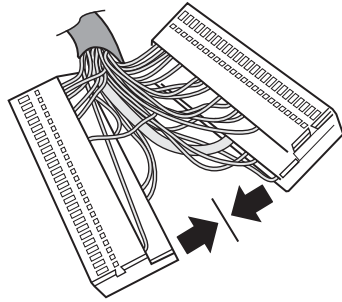
Can-bus
Datawire

L2

37

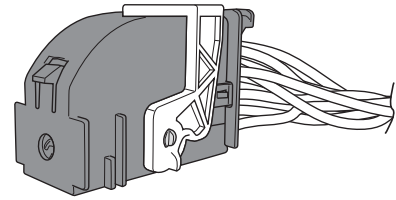
Vehicles **without** trailer preparation

CANbus
OPTION A



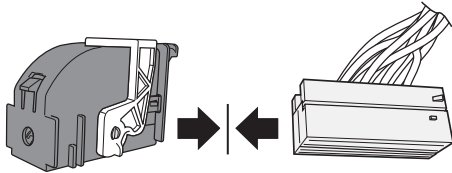
1

BCM-A



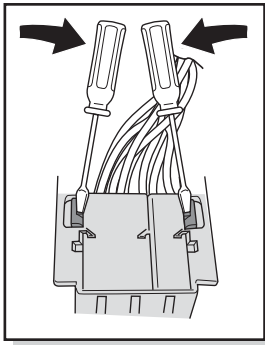
2

38



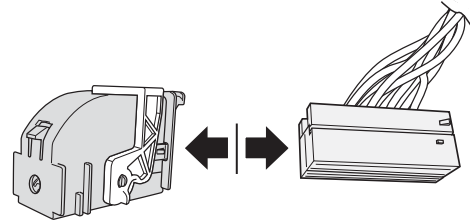
Vehicles **without** trailer preparation

CANbus
OPTION A

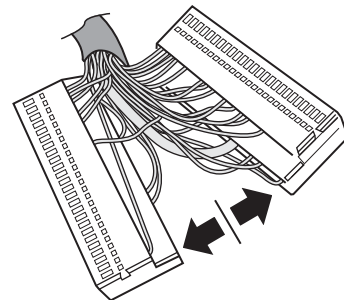


1

2



3



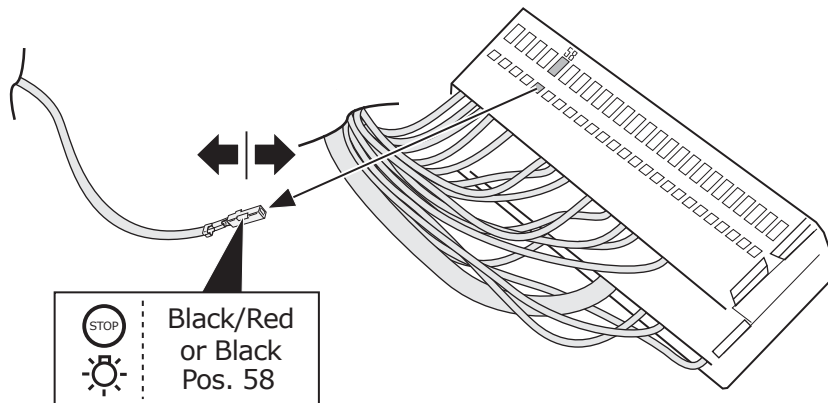
39

BCM-C

Vehicles **without** trailer preparation

CANbus
OPTION A

BCM-C



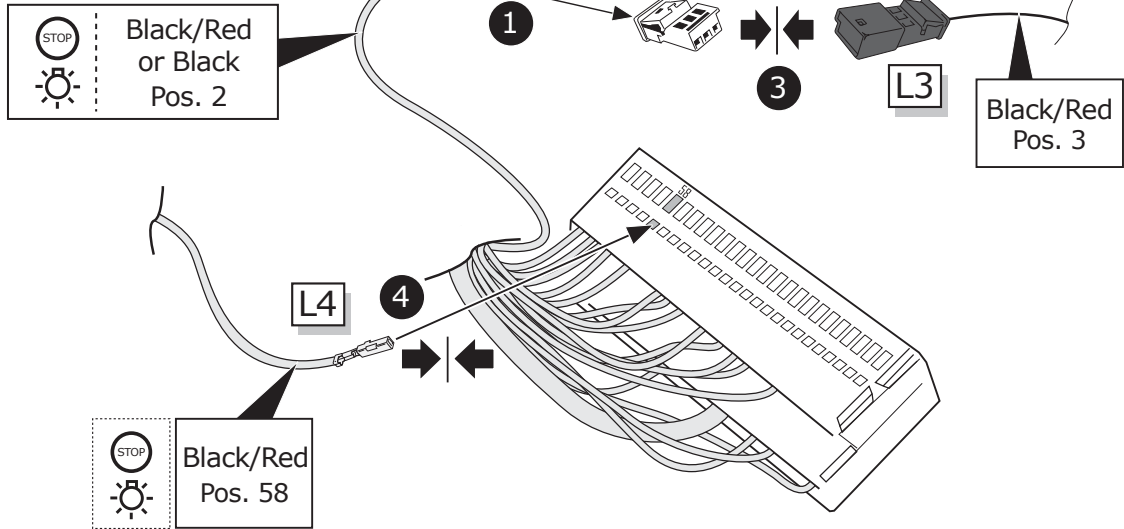
40

Vehicles **without** trailer preparation

CANbus
OPTION A

LOCK

BCM-C

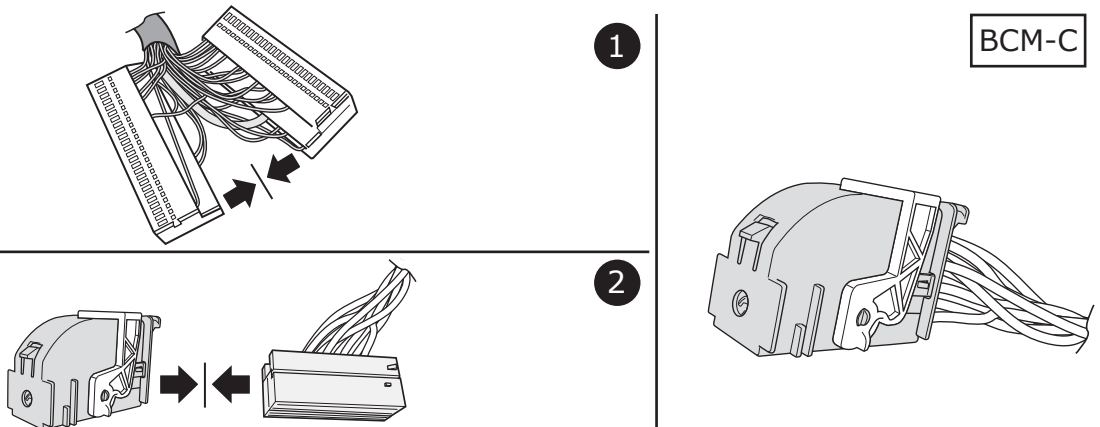


41

Vehicles **without** trailer preparation

CANbus
OPTION A

BCM-C



42

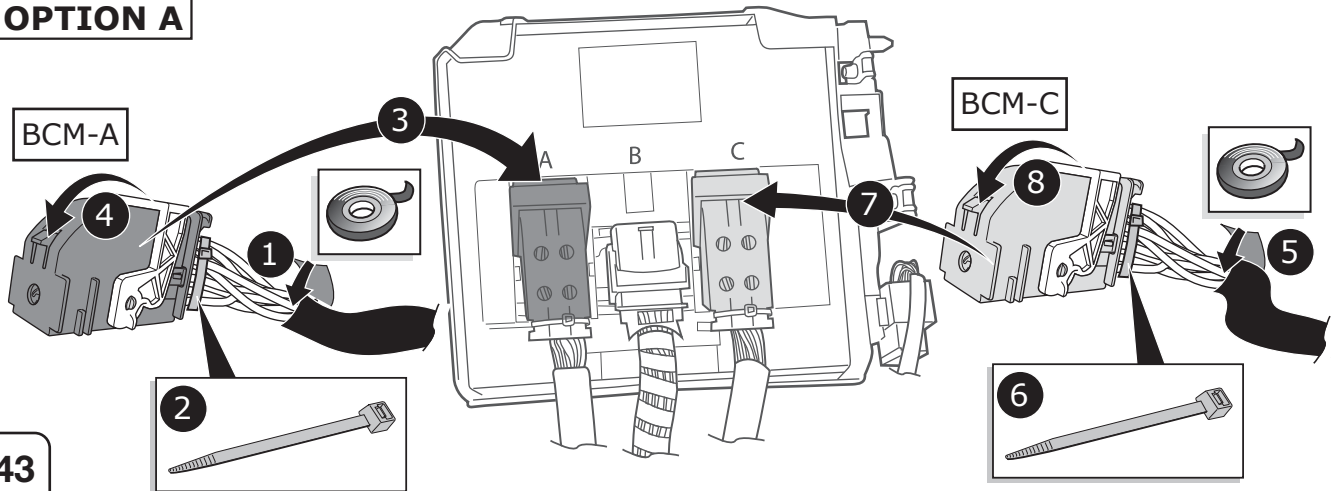
Vehicles **without** trailer preparation

CANbus
OPTION A

Body Control Module

BCM-A

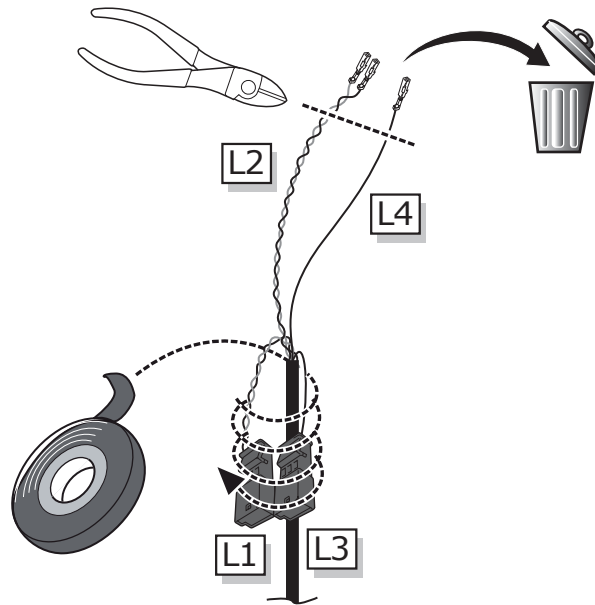
BCM-C



43

Vehicles **without** trailer preparation

CANbus
OPTION B

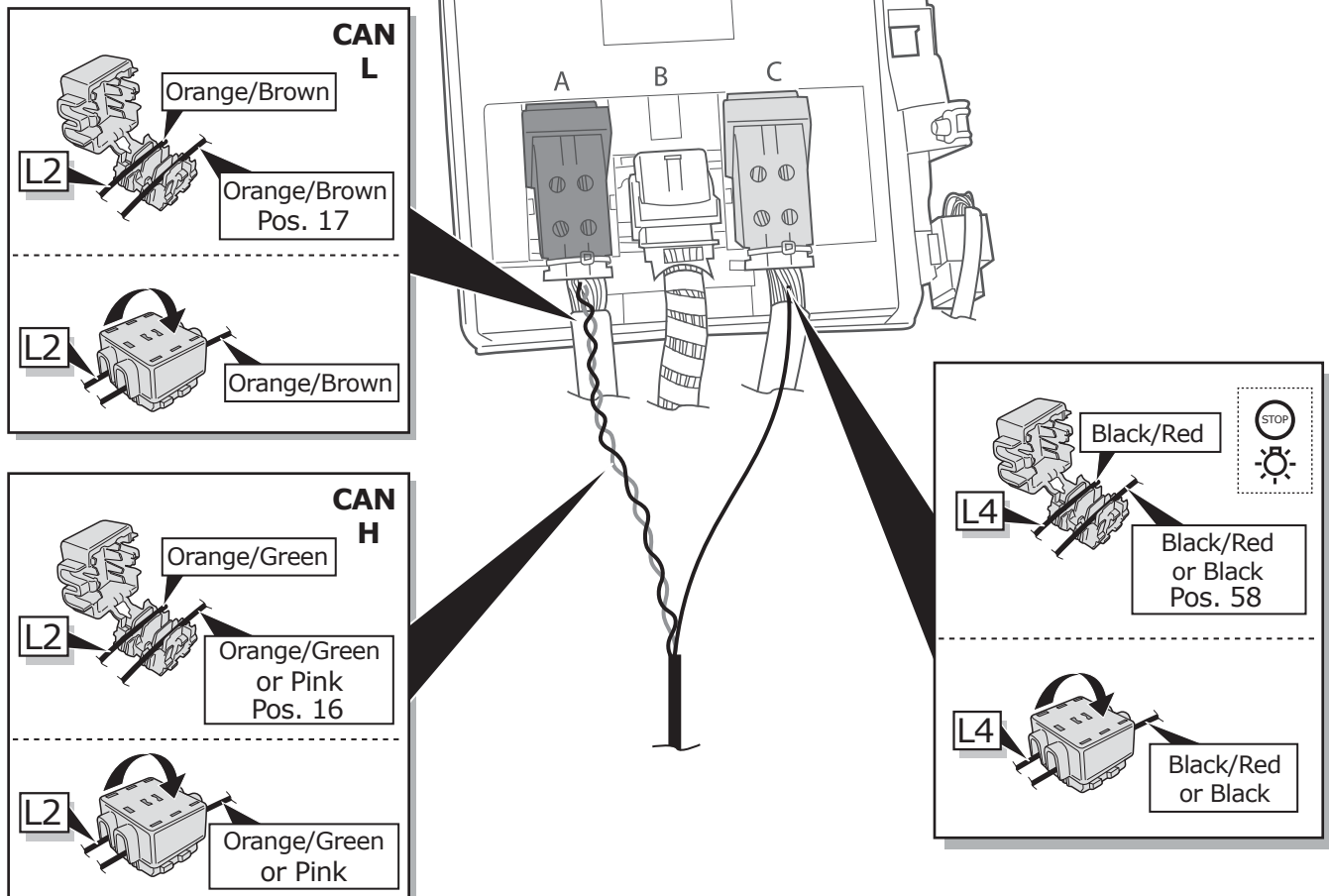


44

Vehicles **without** trailer preparation

CANbus
OPTION B

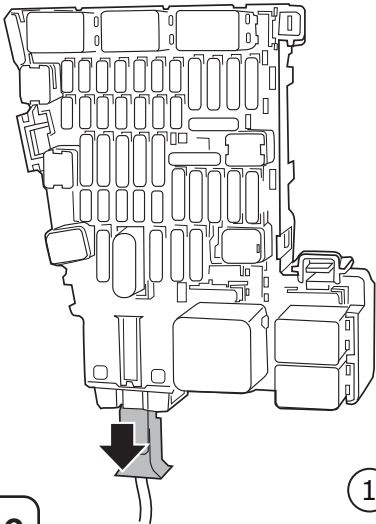
Body Control Module



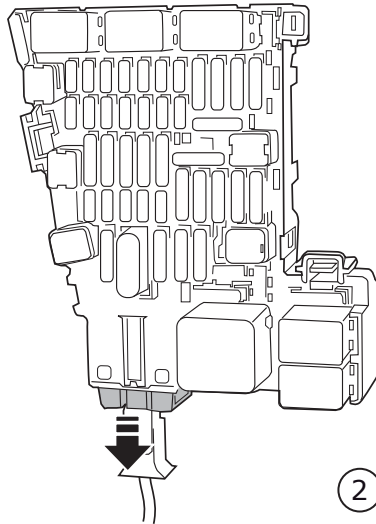
45

Vehicles **without** trailer preparation

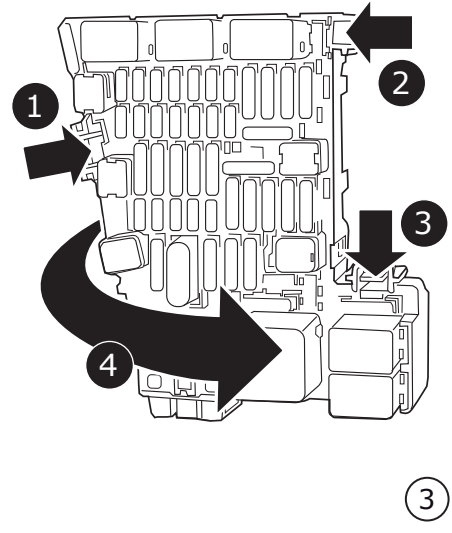
Fuse box option A



1



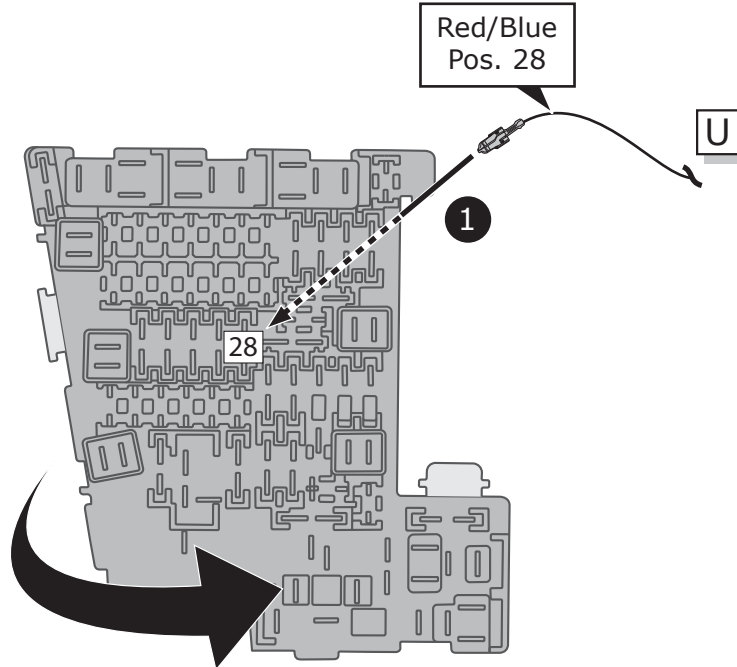
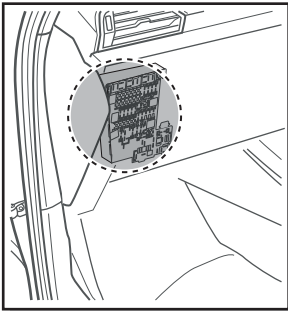
2



3

46

Vehicles **without** trailer preparation



Red/Blue
Pos. 28

U

1

28

2

20 Amp.

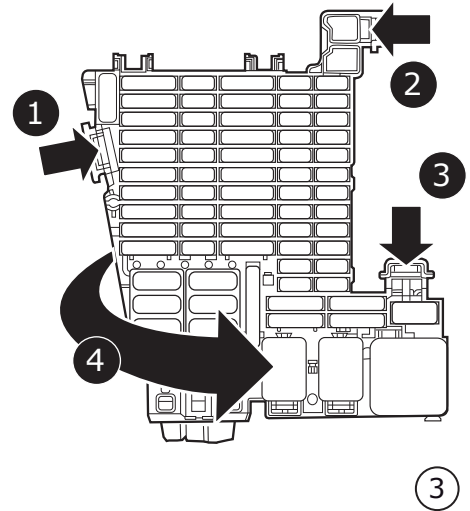
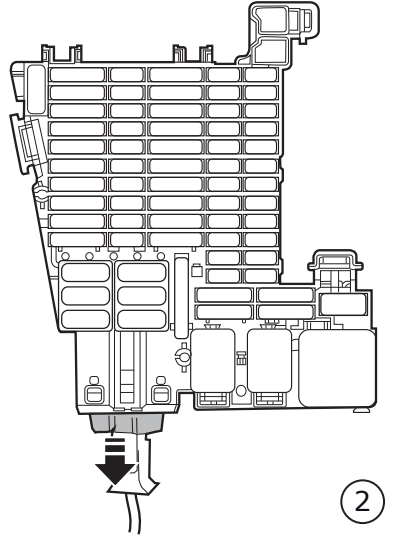
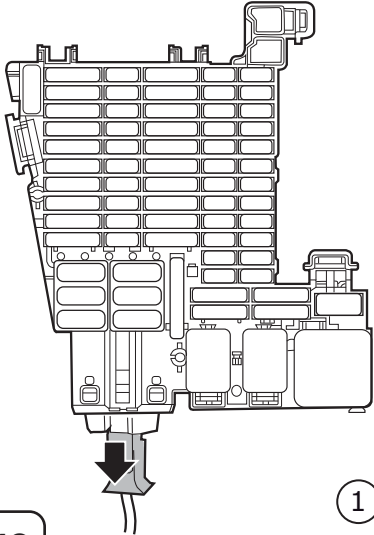
Pos. 28

+30

47

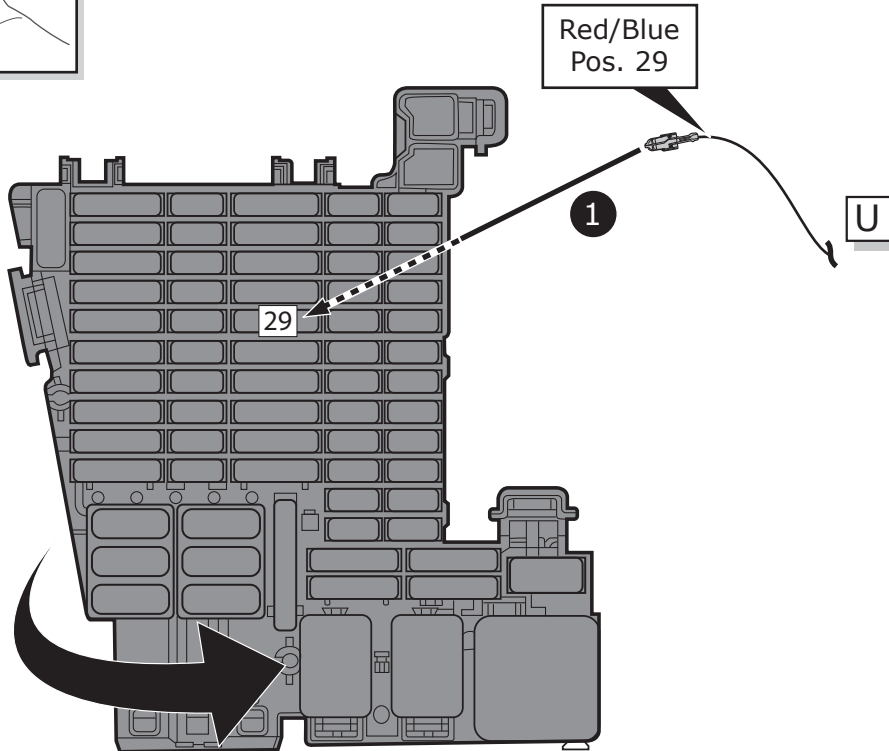
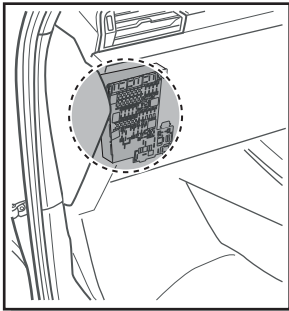
Vehicles **without** trailer preparation

Fuse box option B



48

Vehicles **without** trailer preparation



2

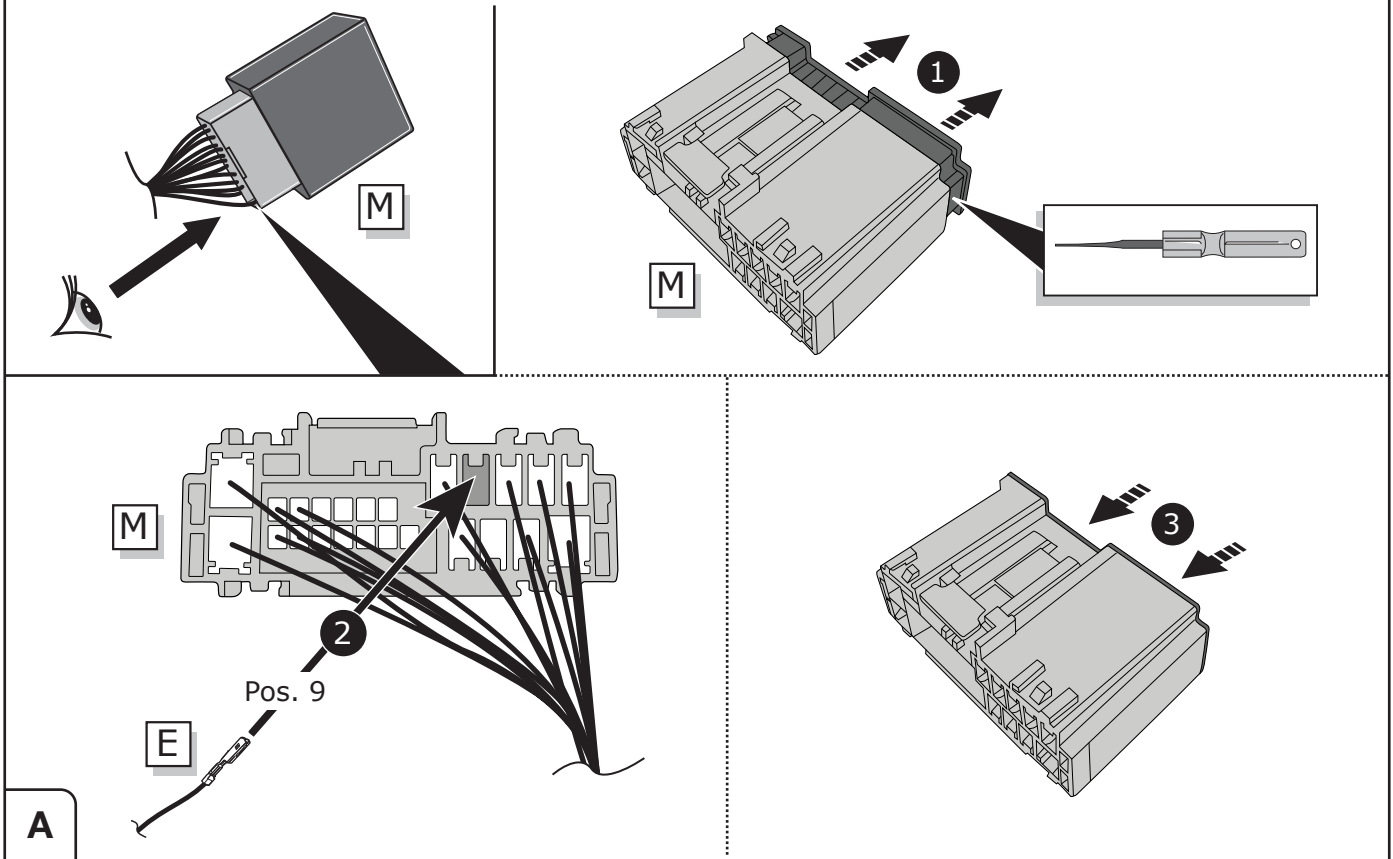
20 Amp.

Pos. 29

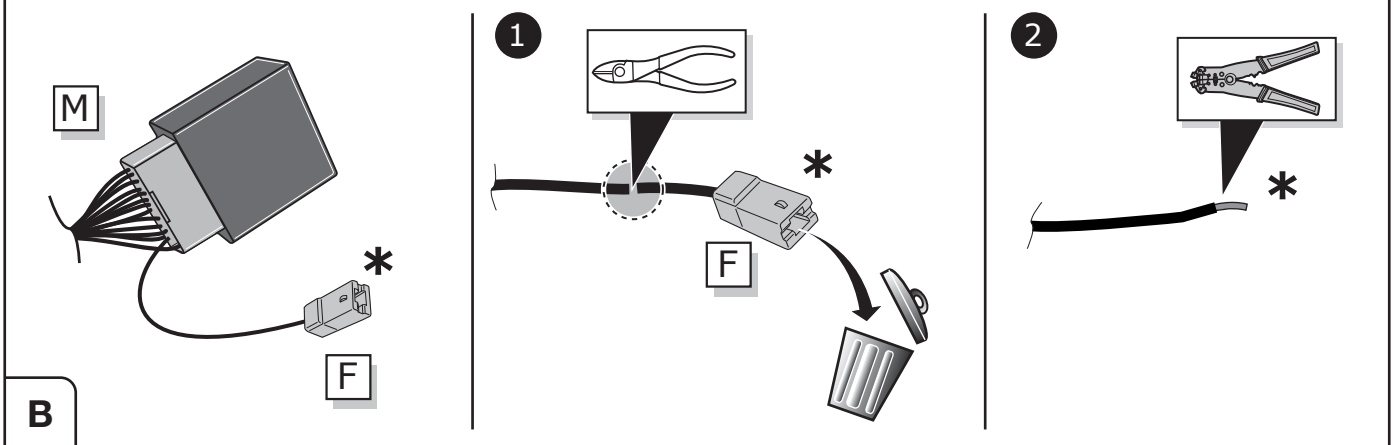
+30

49

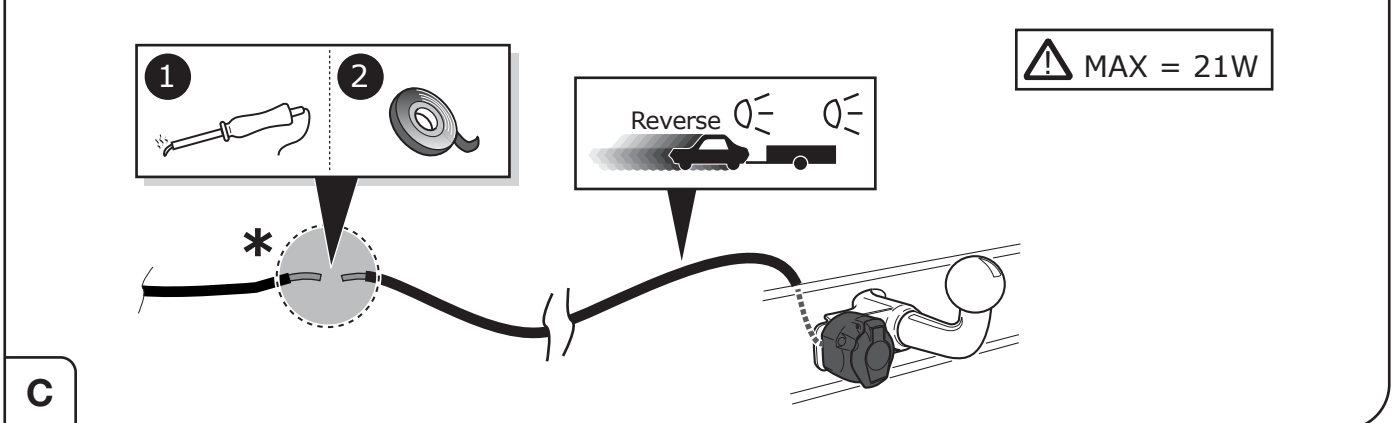
Reverse signal preparation

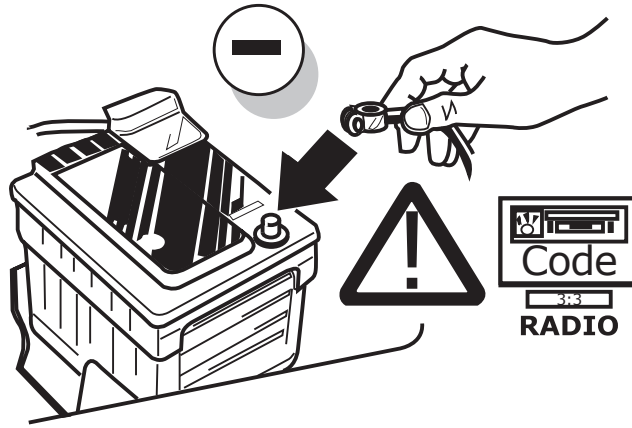


Reverse signal preparation



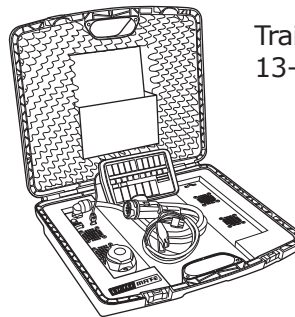
Reverse signal preparation





50

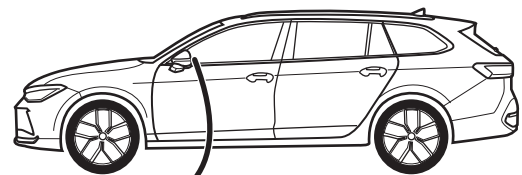
Optional



Trailer Simulator for 7- and 13-pin Sockets

51

Duplex-Mode 1 - With Coding (read/write)



Diagnostic services and methods (local offline):

Please note:

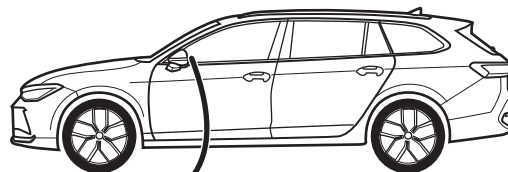
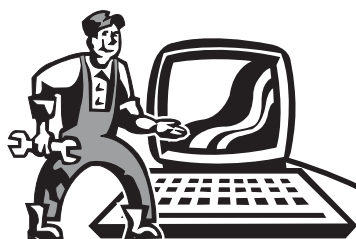
Always use the latest diagnostic version!
 The vehicle to be coded must be supported by the diagnostic service provider and already be implemented in the diagnostics version!
 Please contact your diagnostic service provider in case of any question.

ATTENTION!

Model year 2021 vehicles are equipped with a so-called vehicle diagnosis protection (SFD). Make sure that access to locked on-board control units is granted by the diagnostic system.
 Possible diagnostic service providers:

- ODIS (page 27)
- JIFELINE

52



Complete Diagnostics

remote diagnostic & coding solutions

Call Hotline +44 (0)1952 608 750 - Option 4

CODING WITH ODIS

Please note:

The procedure described below for encoding and enabling the trailer mode only serves for a general orientation and can vary greatly depending on the model (motorisation / equipment). If necessary less or further control units will have to be adapted.

After connecting to ODIS, the "69 trailer function" controller has to be set to encoded in the target installation list.

The following may be necessary in the further course of work:

EZE_09 (electronic central electric controller):

Diagnosis
(possible login code: 31347)
Networking plan
Controller self-diagnosis
Encode
Trailer connection device >installed
or: hitch_ecu >installed

Alternative encoding EZE_09 as follows (MY 2017 >>):

Self diagnose control unit
Access authorization >31347
Adjustment
Integration
Trailer control unit > installed

ZKS_46 (Central module convenience system)

trailer monitoring >put on active
trailer control unit >installed

SWA_3C (Lane Change Assist)

ECU for draw bar >with ECU for draw bar

SW2_CF (Lane Change Assist2)

ECU for draw bar >with ECU for draw bar

SCH_17 (Dash panel insert)

Trailer >yes

RFK_6C (reverse camera system)

equipment_ahk >installed

STF_74 (chassis control system)

Trailer >installed

EPH_76 (PDC controller)

Trailer >trailer device can be removed manually

DIS_13 (controller distance control)

(possible login code: 20103)
Control module for towing sens >installed

Alternative encoding DIS_13 as follows:

Self diagnose control unit
Access authorization >20103
Encoding
Binary encoding
Byte 3
Binary >xxxx1xxx
or Hex >+8

03 Brake electronics

Access authorisation > 61378
Adjustments
Trailer stability >Active

FFF_A5 (front sensor system controller)

AAG >coded

HDE_6D (boot lid electronics controller)

Trailer >installed

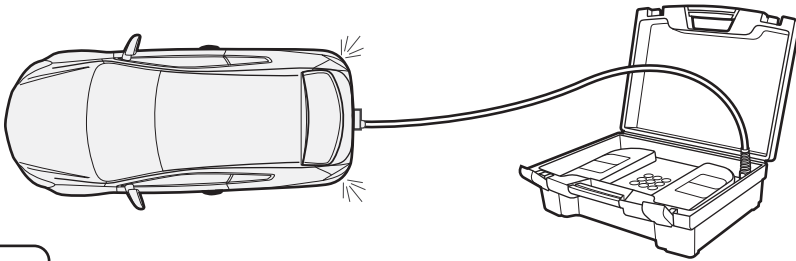
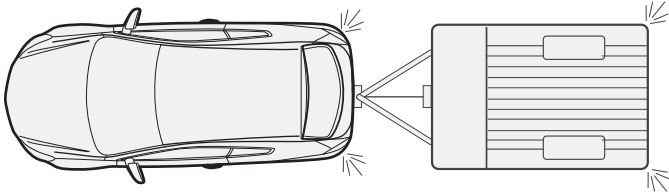
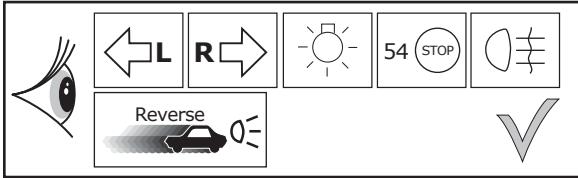
Encoding AST_7E (Driver display unit)

Encoding
Trailer → on

Important note on encoding and activating in trailer mode

The aforementioned settings are carried out in the vehicle's electrical system and saved locally. During general updates for the vehicle software (for example, within the scope of service or repair work), the settings may be overwritten and deleted under certain circumstances. In this case, the trailer mode activation has to be updated again locally after the update. Diagnostic information relating to the trailer mode that may appear during variance comparisons with the data saved in the manufacturer's works, may form the basis of the local activation.

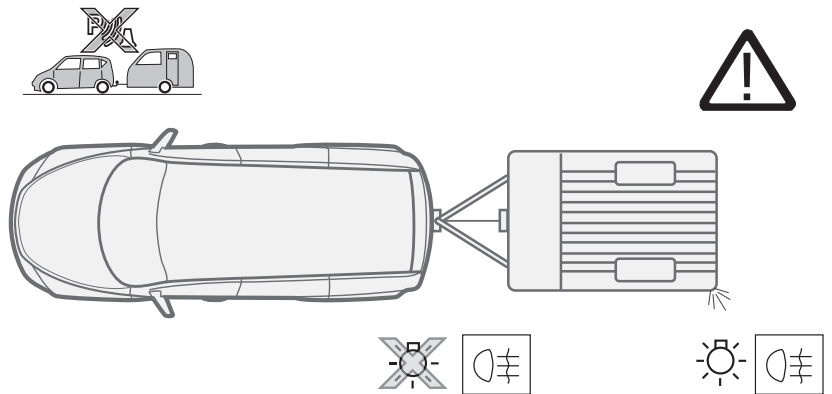
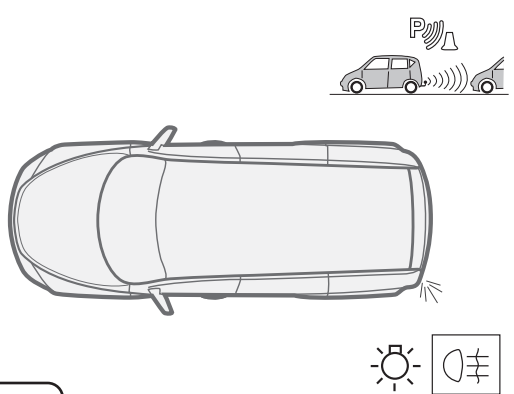
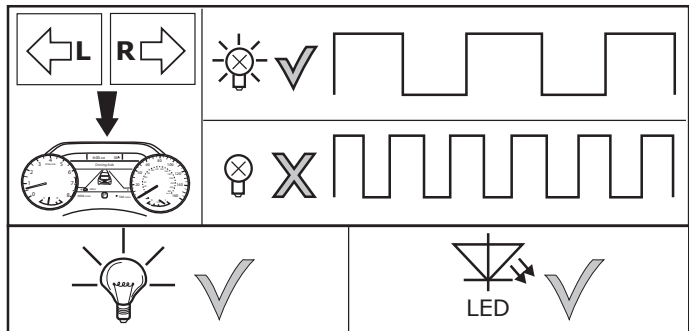
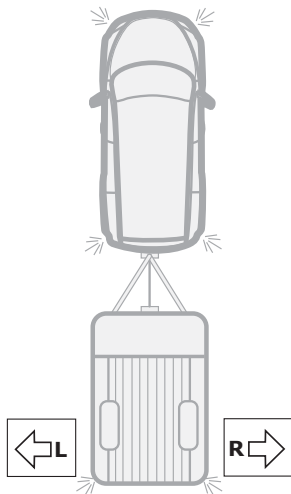
Functional test



54

Duplex-Mode 1 - With Coding (read/write)

INFO



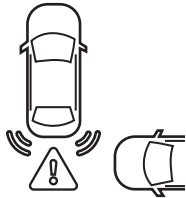
55



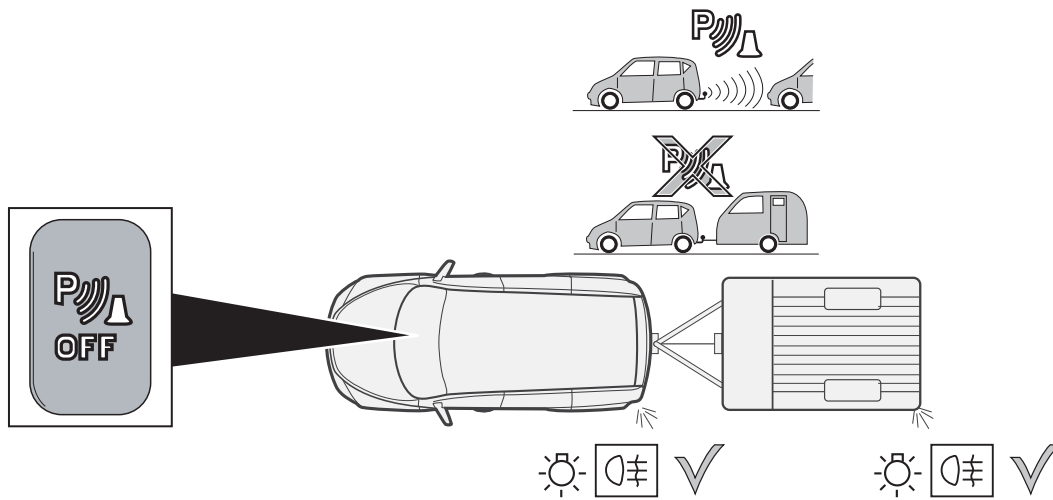
Rear fog light cut-off is not supported!



PDC to be deactivated manually!

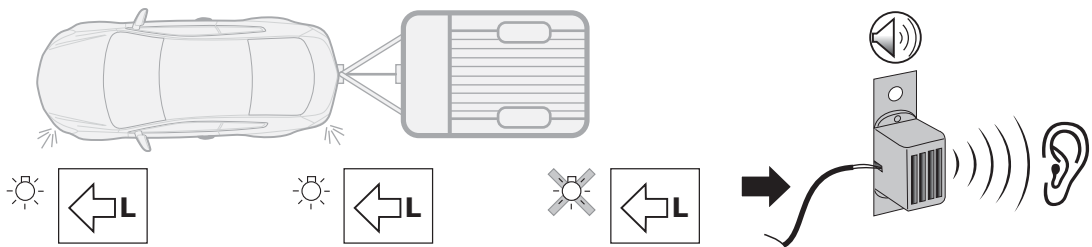
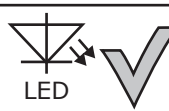
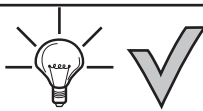


Rear Collision Avoidance Systems to be deactivated manually!



56

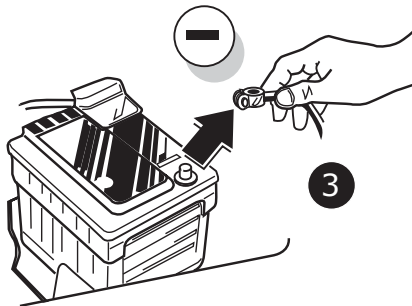
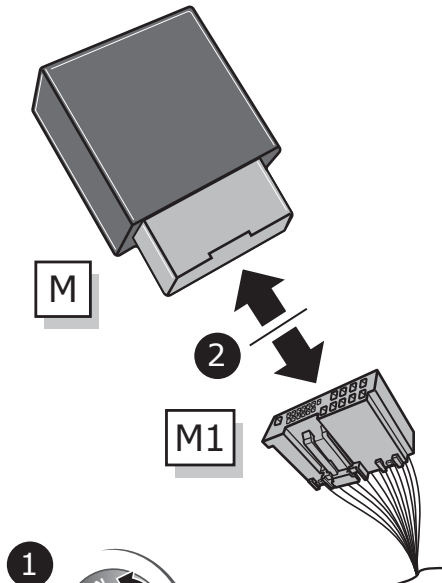
INFO



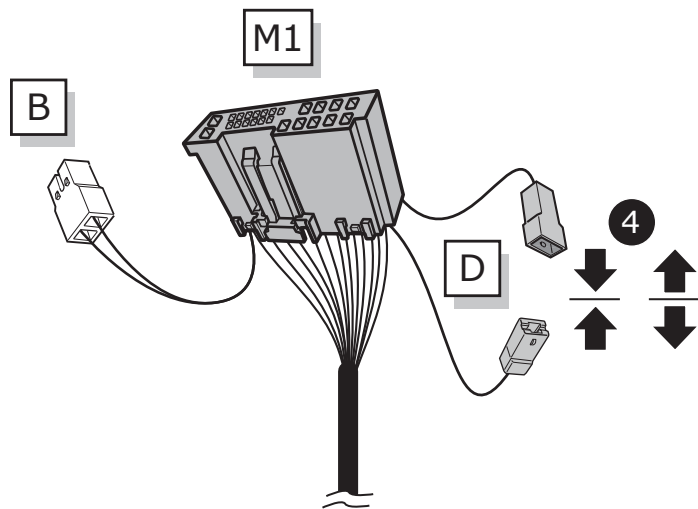
57

How to change the Duplex-mode if required:

INFO



1. Turn off ignition
 2. Disconnect trailer module M from harness M1
 3. Disconnect battery
 4. Set up requested Duplex mode:
 - Disconnect D and attach buzzer (B) for read-only mode
 - Connect D and remove buzzer (B) for read/write mode
- Connect trailer module M to harness M1
 - Connect battery
 - Turn on the ignition and run a full test
 - Coding may need removing or adding depending on Duplex mode selected



58

The following light functions for the trailer are **not supported** by all towing vehicles **with DRL circuit**:

- Rear lights
- Side lights
- Numberplate lights

The **taillights or dimmed headlights** **must be switched on** to activate this function!

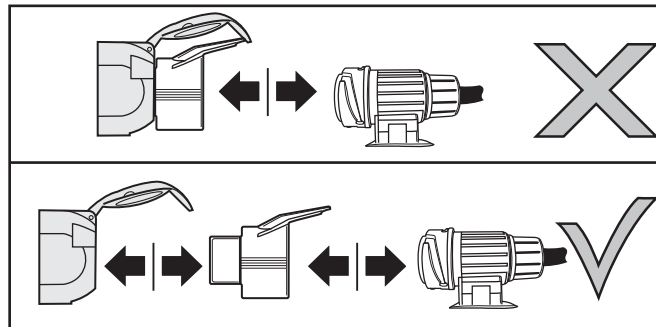
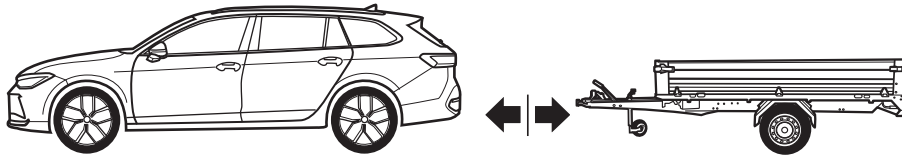
59

Optional

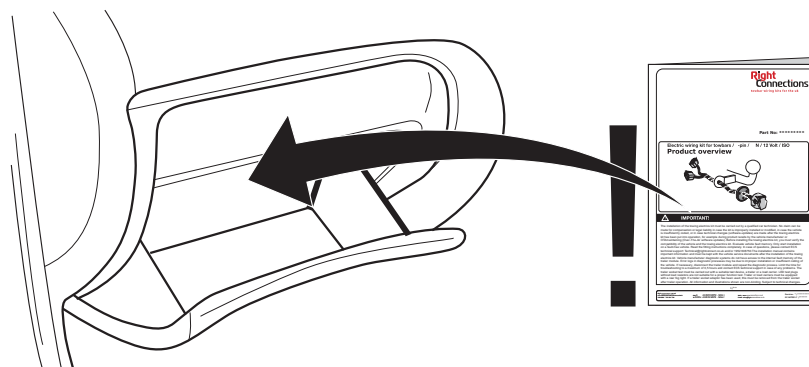
Adapter socket



60

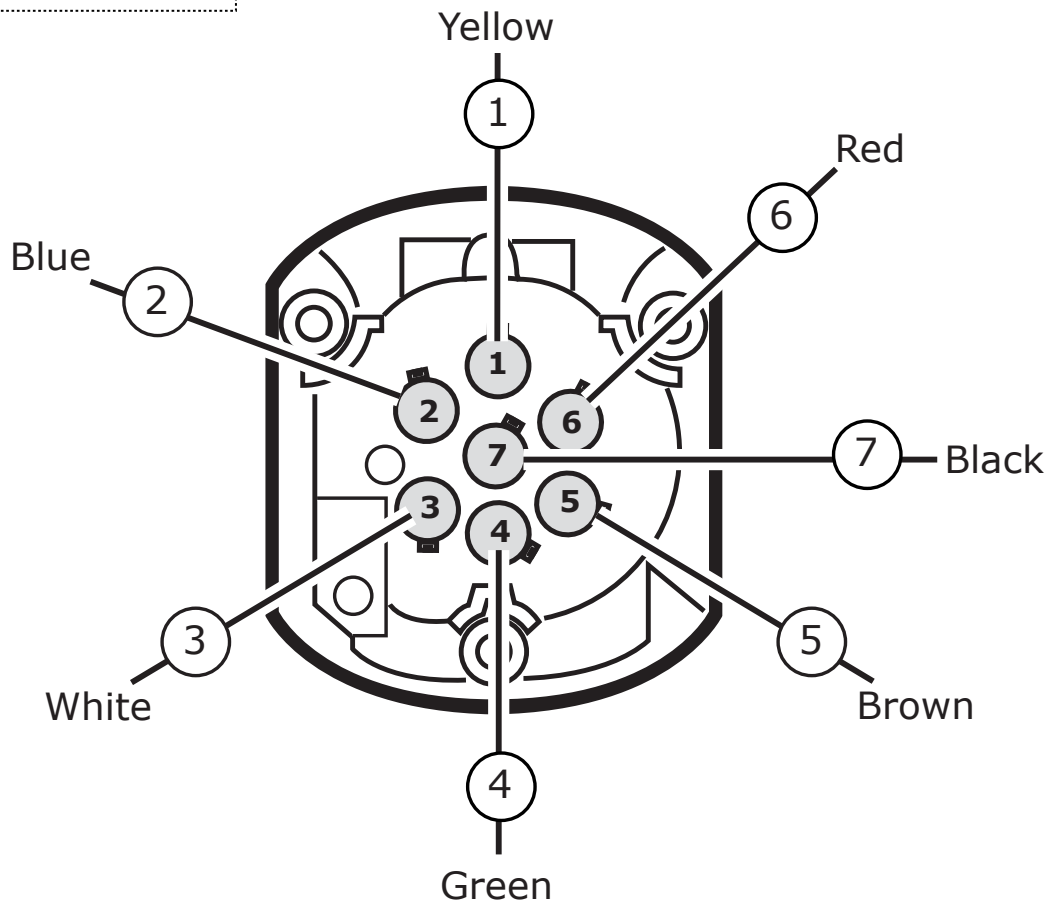
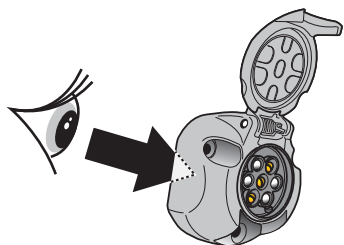


61



62

SOCKET CONNECTION



SOCKET CONNECTION

DIN/ISO 1724							
	1/L	2	3/31	4/R	5/58-R	6/54	7/58-L
Pmax	21W	42W		21W	52W	3x21W	52W
Colour	Yellow	Blue	White	Green	Brown	Red	Black