

# Right Connections

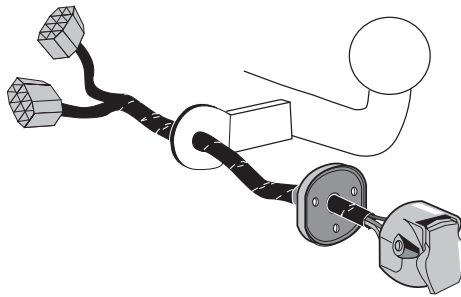
towbar wiring kits for the uk

**XPENG**

**G6 SUV 2025 >>**

**Part No: XP-001-13**

## Electric wiring kit for towbars / 13-pin / 12 Volt / ISO 11446 Fitting instructions



**AEB**

### Please note:

This tow bar wiring kit has no influence on the towing vehicle's assistance systems. Assistance systems with emergency brake function (AEB) will not be influenced or automatically deactivated whilst a trailer is attached.

Automatic or remote-controlled parking assistance systems must not be used whilst a trailer is attached!

For more information please refer to the vehicle owner's manual.



## IMPORTANT!

This electric kit has to be installed by a professional workshop or a suitable qualified person.

The installation instructions must have been read and fully understood before the start of any installation. Please contact your wiring kit provider or the hotline shown in the footer should you need assistance!

Make sure the vehicle is approved/homologated by the manufacturer to tow a trailer!

Also please check that there is a definite compatibility between this vehicle and the electric kit!

Following the installation of the electric kit, the fitting instructions should be kept together with the vehicle service document and vehicle handbook. The fitting instructions contain important information relating to the use and function of the towing kit as well as for any diagnostic or activation process, that might have to be repeated in the future (e.g. after the performance of a vehicle software update).

All warranty claims will be forfeited if the electric kit or components contained therein are used incorrectly or modified. If a towing socket adaptor has been used to connect to the trailer or bike rack, this must be removed from the trailer socket once the trailer or bike rack has been disconnected.

If the trailer or bike rack is not equipped with a rear fog lamp, depending on the towing vehicle type, the correct function of the towing kit cannot be guaranteed. In such cases, a rear fog lamp should be retro fitted.

This towing electric kit will not be covered under warranty if any technical or electrical modifications or software updates have been performed by the vehicle manufacturer after the initial commissioning of the kit. That applies especially to modifications or updates which may cause malfunctions in the trailer socket or any other part of the trailer electrical equipment!

Depending on the type of trailer module used in this electric kit, diagnostic interrogation with the vehicle's electrical system may be limited or will not function. The error memory inside the trailer module may not be able to be accessed by vehicle manufacturers diagnostic system.

Error logs relating to the trailer electrical equipment, that may be generated in the vehicle manufacturers diagnostic system as a result of a test procedure, may be due to the incorrect installation of the towing electric kit or the false activation of the trailer module.

**We always recommend whenever possible, the following troubleshooting process:**

→ **An analysis of the vehicle's error memory and possibly clearing of all faults before the start of the installation!**

→ **Try disconnecting the trailer module from the towing harness and re-start the fault clearing process!**

→ **If in doubt, limit the time for troubleshooting to a max of 0,5 hours and call our Technical Support Team!**

Please follow our instructions carefully and always test the towing electric using a true lighting board or a specifically designed bulb tester. If an LED tester is used, ensure it is equipped with correct load resistors or malfunctions will occur!

This instruction is subject to changes and we reserve the right to make changes to design, colour etc.

All of the data and illustrations may not be an exact representation but the text contained in this instruction must be observed!

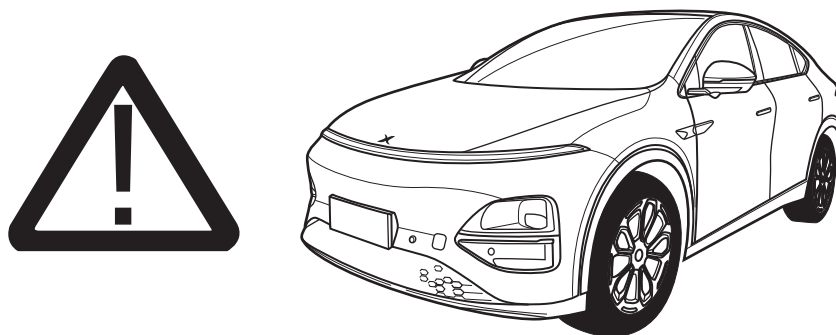
**IMPORTANT!**

Please ensure awareness of the vehicles high voltage systems are observed during installation. The high voltage system should not be disturbed during installation of this wiring kit

The installation of the towing electrics kit must be carried out by a qualified car technician. No claim can be made for compensation or legal liability in case the kit is improperly installed or modified, in case the vehicle is insufficiently coded, or in case technical changes (software-updates) are made after the towing electrics kit has been put into operation, for example during product recalls by the vehicle manufacturer. Before installing the towing electrics kit, you must verify the compatibility of the vehicle and the towing electrics kit. Evaluate vehicle fault memory. Only start installation on a fault-free vehicle. Read the fitting instructions completely. In case of questions, please contact our technical support. The installation manual contains important information and must be kept with the vehicle service documents after the installation of the towing electrics kit. Vehicle manufacturer diagnostic systems do not have access to the internal fault memory of the trailer module. Error logs in diagnostic processes may be due to improper installation or insufficient coding of the vehicle. If necessary, disconnect the trailer module and repeat the diagnostic process. Limit the time for troubleshooting to a maximum of 0,5 hours and contact our technical support in case of any problems. The trailer socket test must be carried out with a suitable test device, a trailer or a load carrier. LED test plugs without load resistors are not suitable for a proper function test. Trailer or load carriers must be equipped with a rear fog light. If a trailer socket adaptor has been used, this must be removed from the trailer socket after trailer operation. All information and illustrations shown are non-binding. Subject to technical changes.

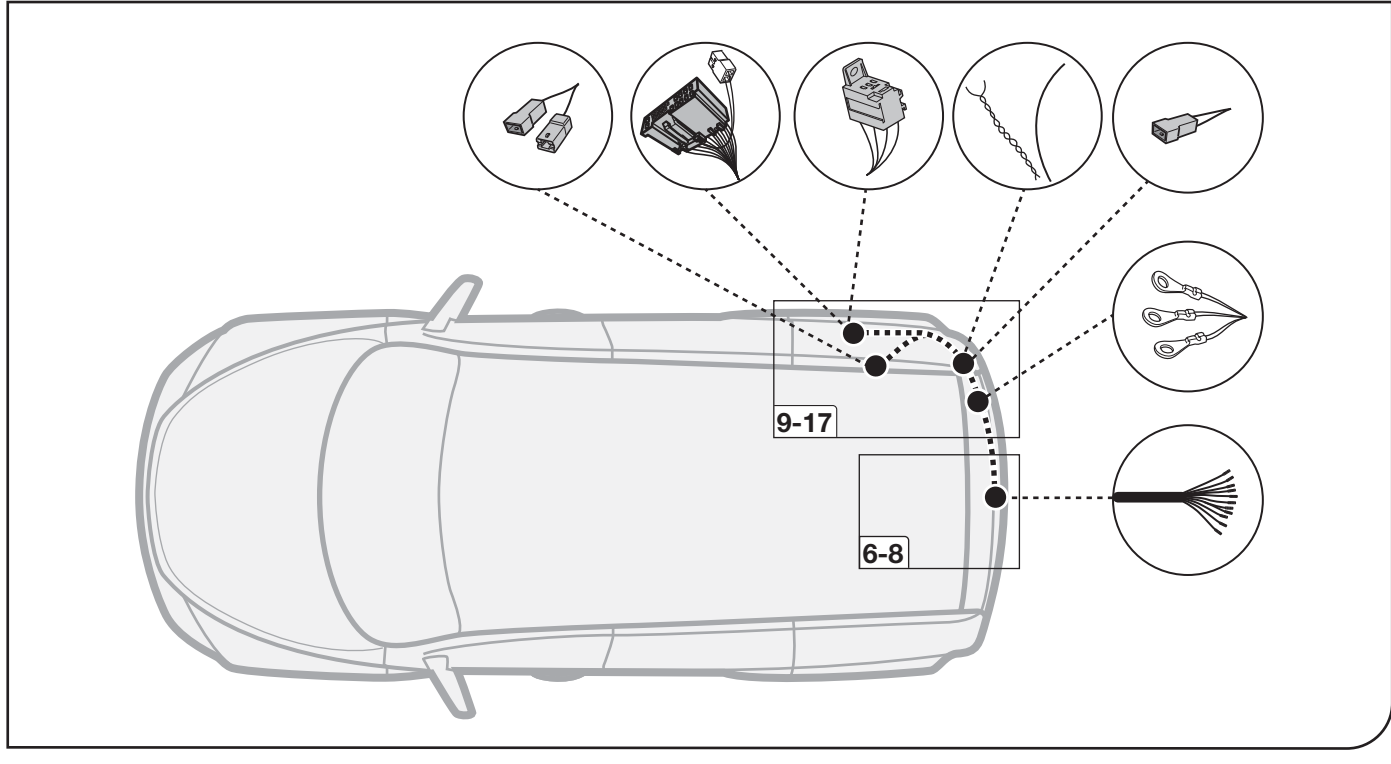
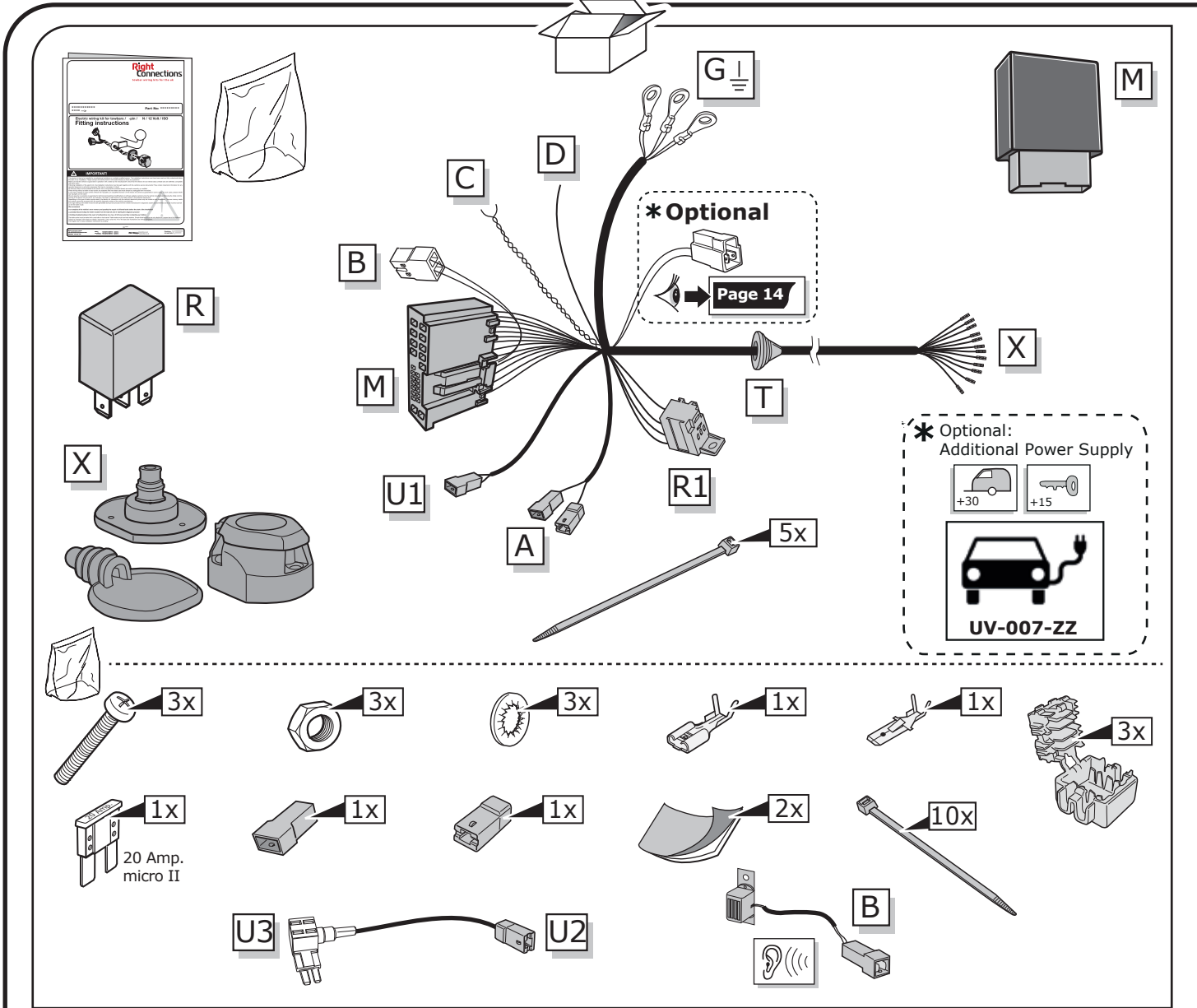
**INFO**

**This kit does not support any of the assistance systems of the vehicle.  
Vehicle assistance systems may have to be deactivated manually  
when towing a trailer!**



**Please note that the operation of the electric tailgate will continue  
to function with a bicycle carrier/trailer/caravan attached.  
It must be operated manually.**

**INFO**



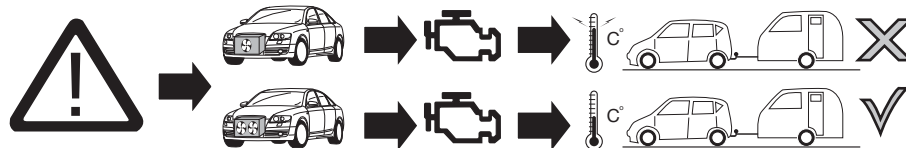
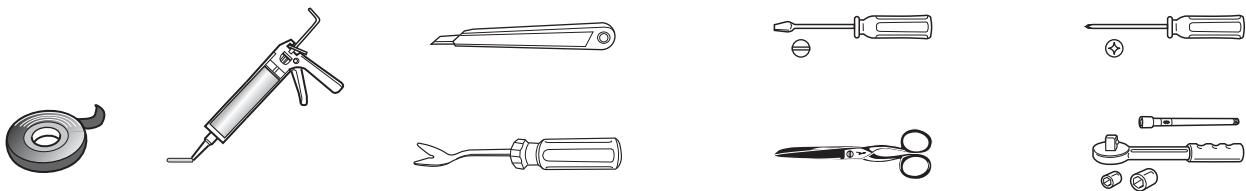
# SYMBOL EXPLANATION

|            |   |
|------------|---|
| 58L        | Left taillight (58-L)                                       |
| 58R        | Right taillight (58-R)                                      |
| 54         | Stop light (54) / high mounted, third stop light (54)       |
|            | Turn signal indicator left                                  |
|            | Turn signal indicator right                                 |
|            | Rear fog light(s)   |
|            | Reversing lights(s)   |
| +30        | Permanent power supply / 13pin socket, chamber 9            |
| +15        | Charging wire for trailer battery/ 13pin socket, chamber 10 |
|            | Trailer / Trailer recognition                               |
| <b>+30</b> | Permanent current power supply                              |
| <b>+15</b> | Voltage after ignition                                      |

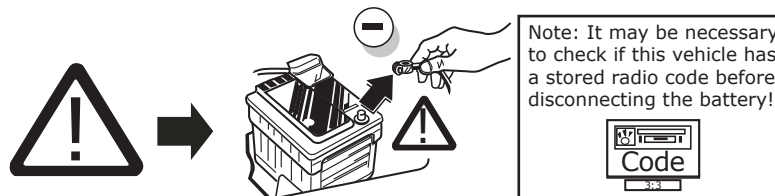
|  |  |
|--|--|
|  | Ground or Earth (31)                     |
|  | Ground connection battery terminal lug   |
|  | Positive connection battery terminal lug |
|  | Fuse / fuse capacity 20 Amp              |
|  | Loudspeaker / buzzer                     |
|  | Park distance control                    |
|  | Switch / source of function              |
|  | Connect together                         |
|  | Disconnect                               |
|  | PDC cut off                              |
|  | Look carefully at selected area          |
|  | Present / Occupied / OK                  |

|                    |   |
|--------------------|---|
|                    | Not present / Not occupied / not OK       |
|                    | Left                                      |
|                    | Right                                     |
|                    | Acoustic indication                       |
|                    | Attention / important advice              |
|                    | Reusable                                  |
|                    | Trash bin                                 |
|                    | Use tape                                  |
| <b>OPTION</b>      | Option                                    |
| <b>INFO</b>        | Information                               |
|                    | Measure the voltage                       |
| NO<br>NC<br>COMMON | Normally open<br>Normally close<br>Common |

## TOOLS



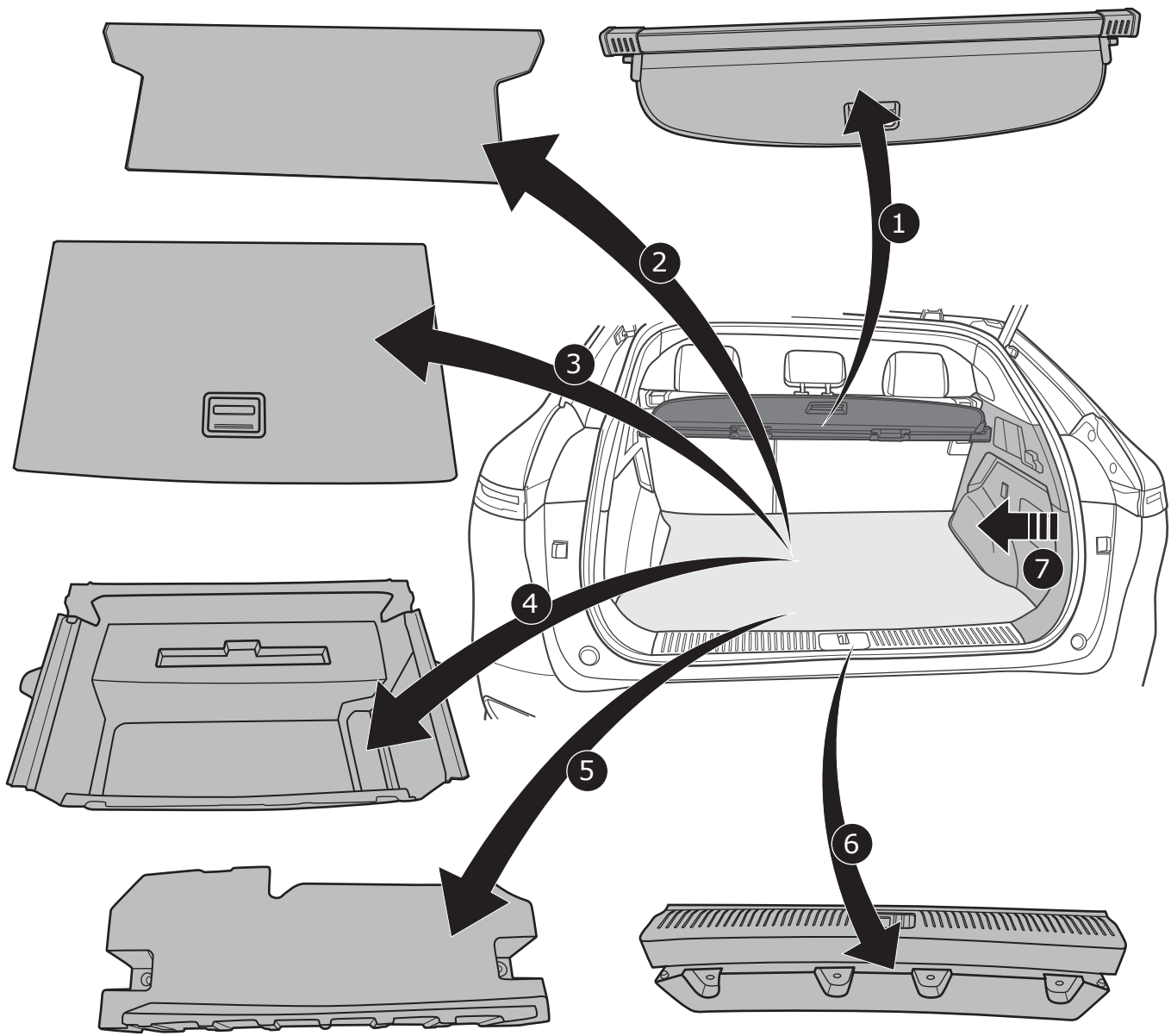
**ATTENTION!** The vehicle's cooling capacity may have to be increased when retrofitting a trailer coupling! You must observe the manufacturer's instructions!!



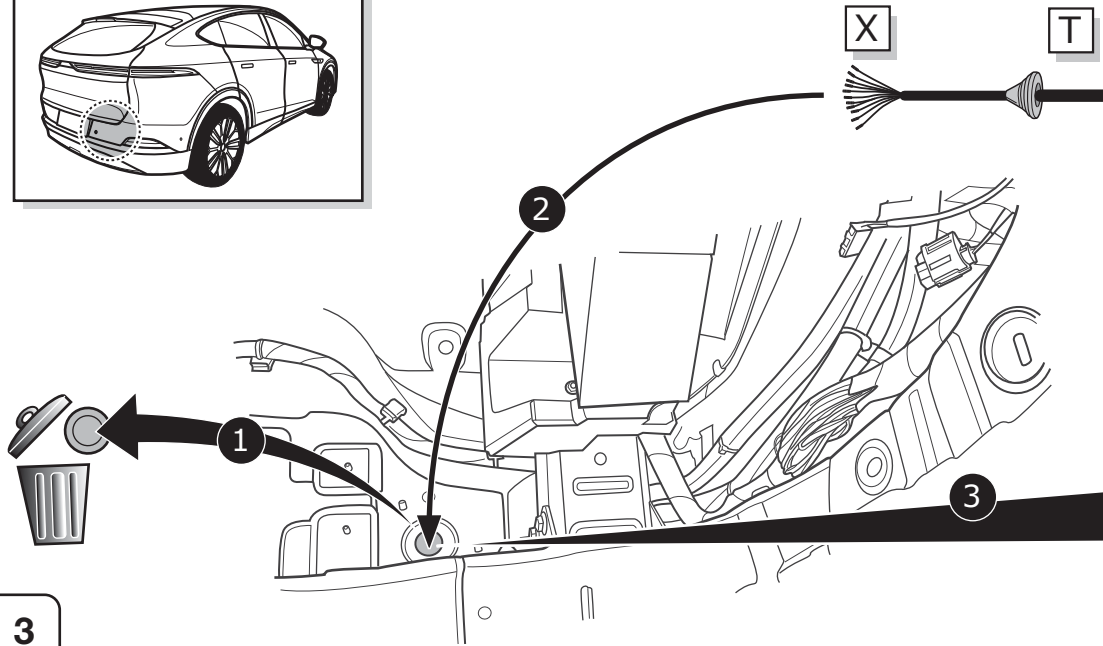
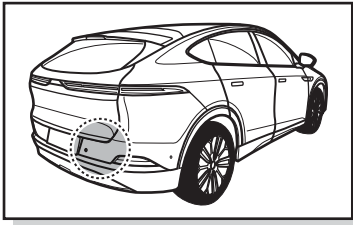
**ATTENTION!** In order to avoid mal-functions and damage to the vehicle's electrical system the earth terminal **must be disconnected** from the vehicle's battery **before starting work!**

**1** Both the trailer module and the vehicle's control unit for the electrical system can be damaged during work on the data bus connections if the battery is not disconnected!

Please pay attention to the manufacturer's instructions when disconnecting and reconnecting the vehicle's battery!

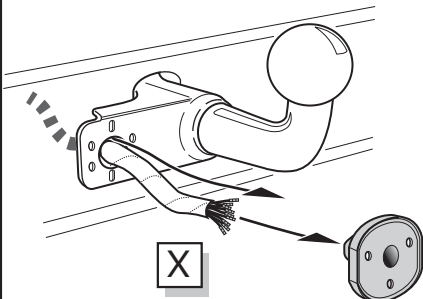


2



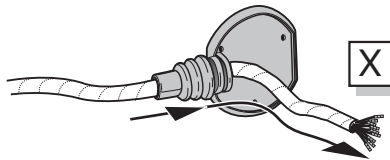
3

Option 1

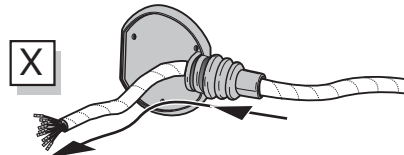


4

Option 2



Option 2

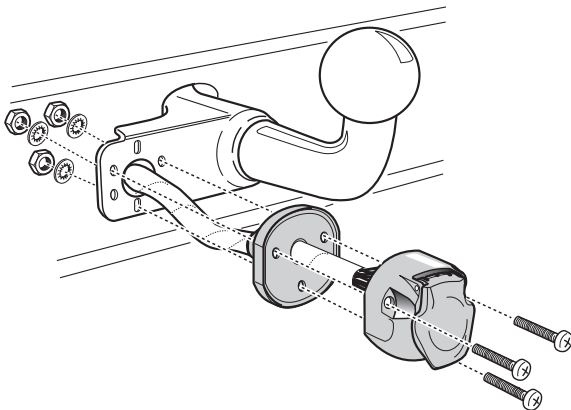


SOCKET CONNECTION

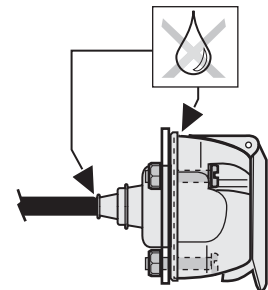


5

Option 1

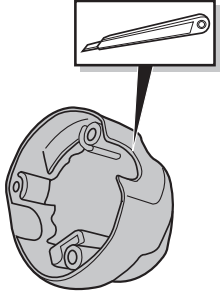


6



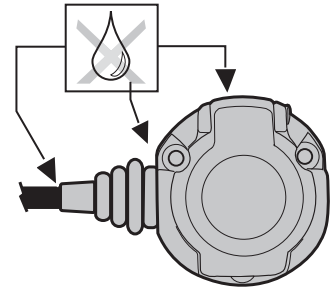
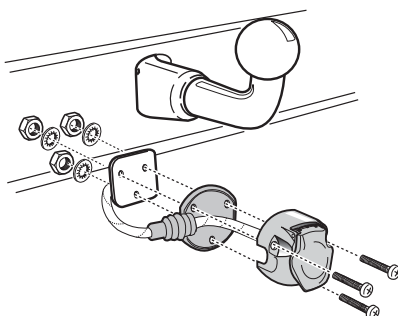
Option 2

1



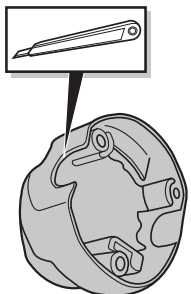
7

2



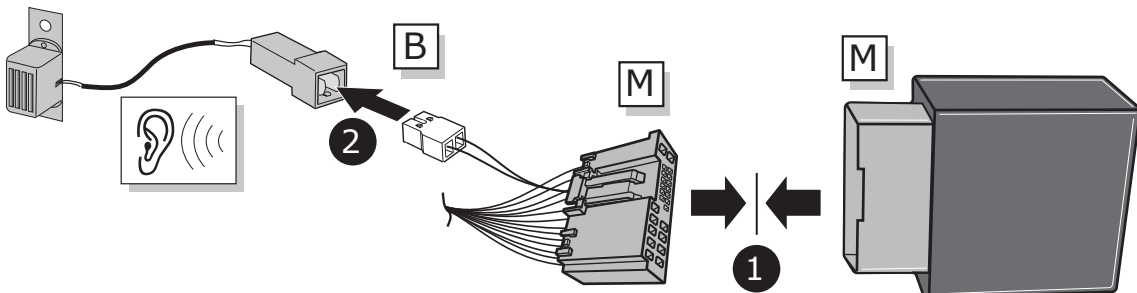
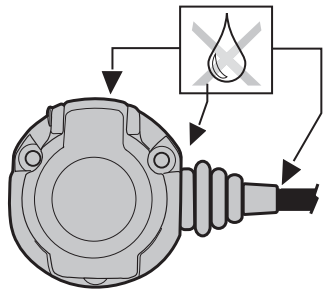
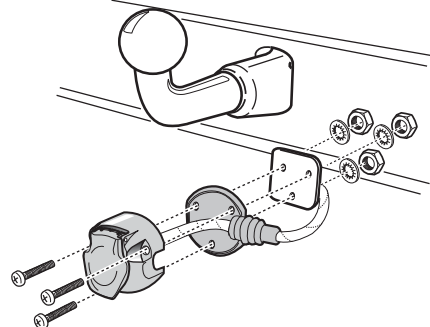
Option 2

1



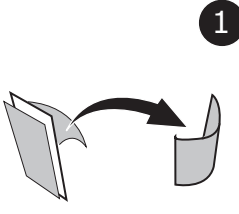
8

2

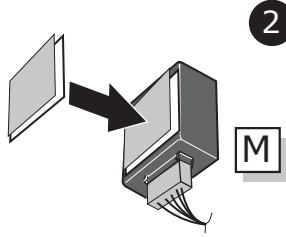


9

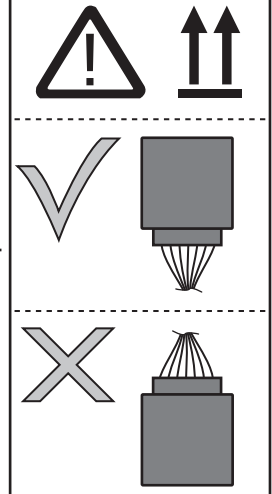
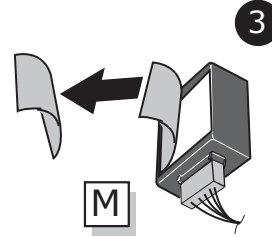
1



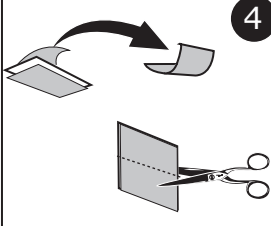
2



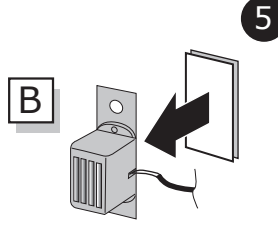
3



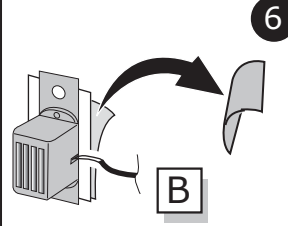
4



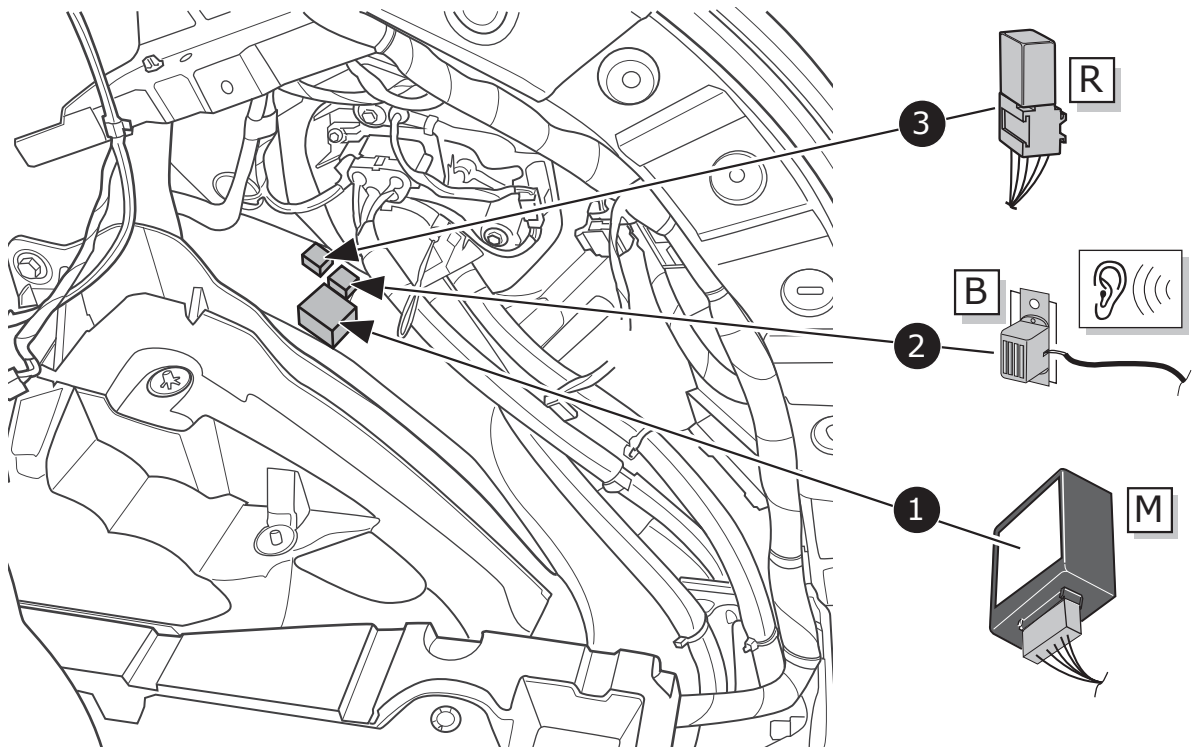
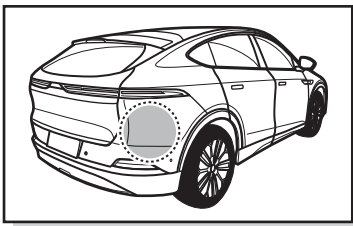
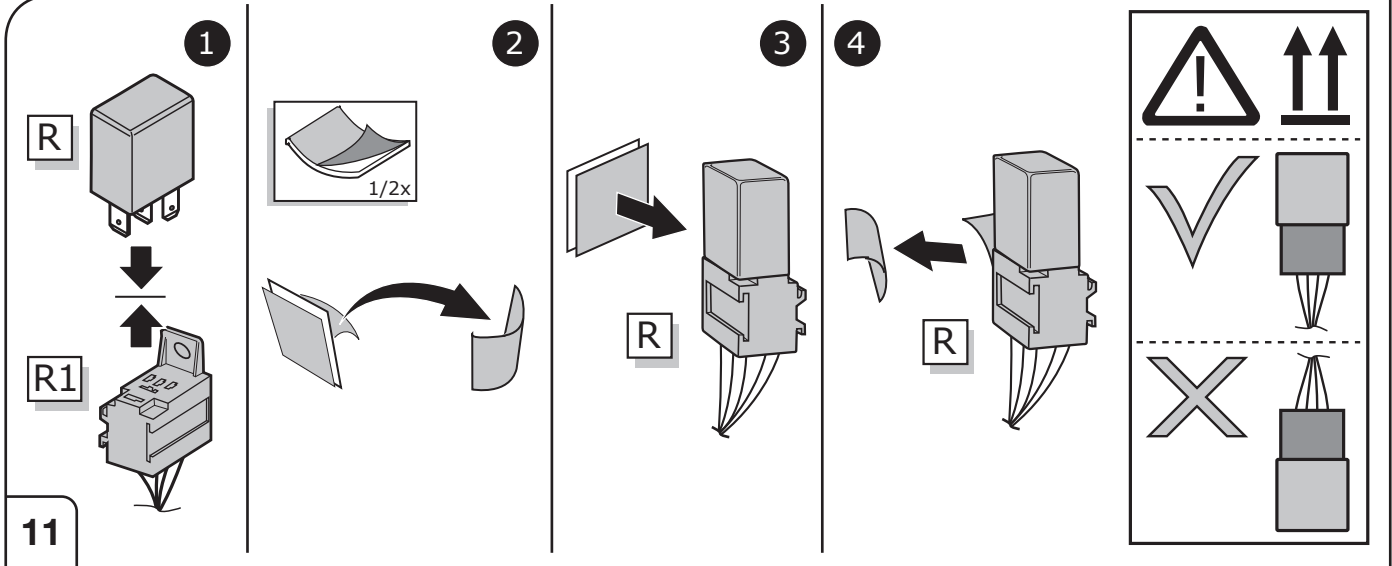
5

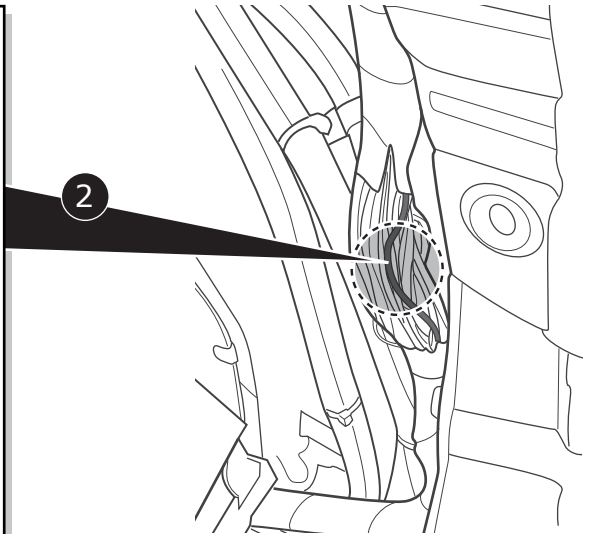
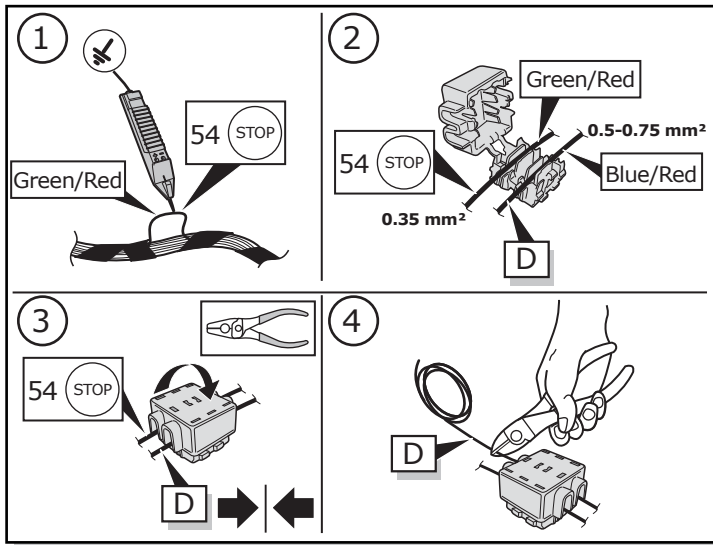
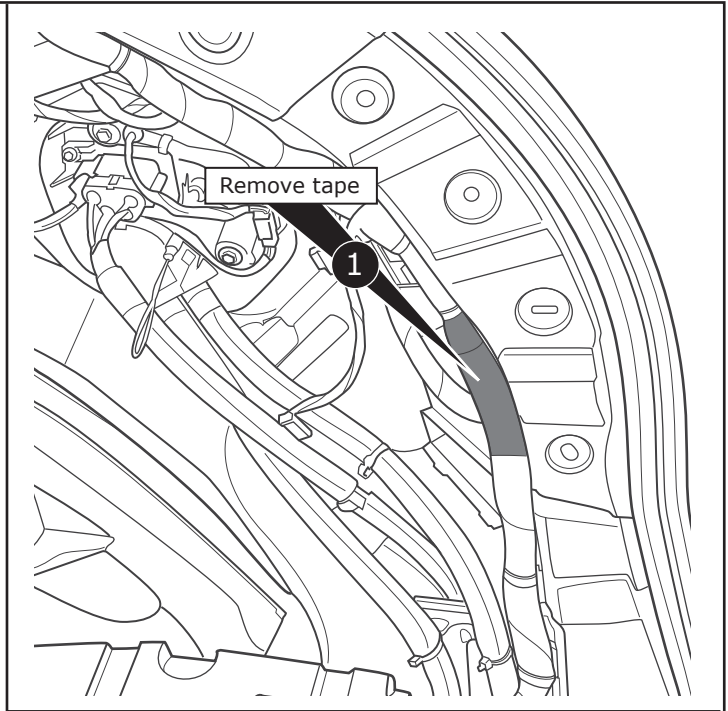
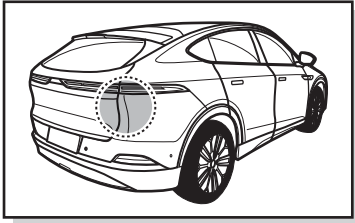


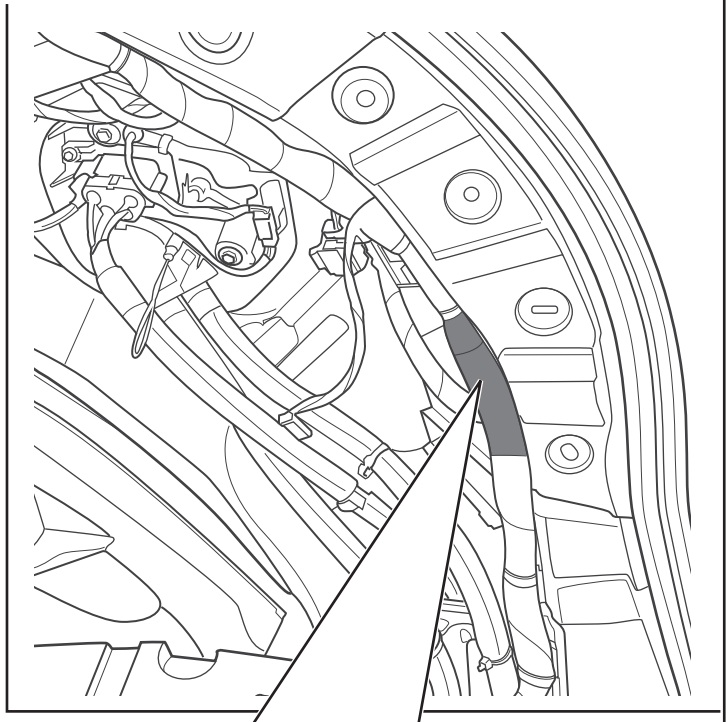
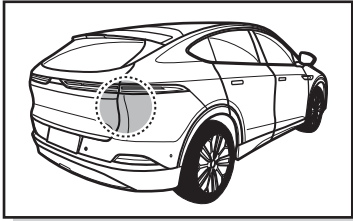
6



10





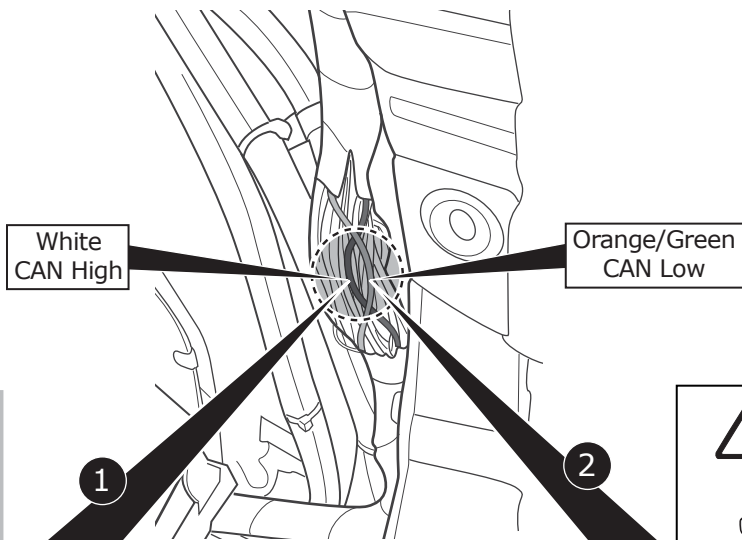


**CAN-Data Wire**

|              |            |
|--------------|------------|
| White        | = CAN high |
| Orange/Green | = CAN low  |

**C**

|        |          |
|--------|----------|
| Black  | CAN high |
| Yellow | CAN low  |



**1**

Please note different wire-size slots in CANbus connector!

0.5-0.75 mm<sup>2</sup>  
0.35 mm<sup>2</sup>

---

White  
Black  
C

→ ←

**2**

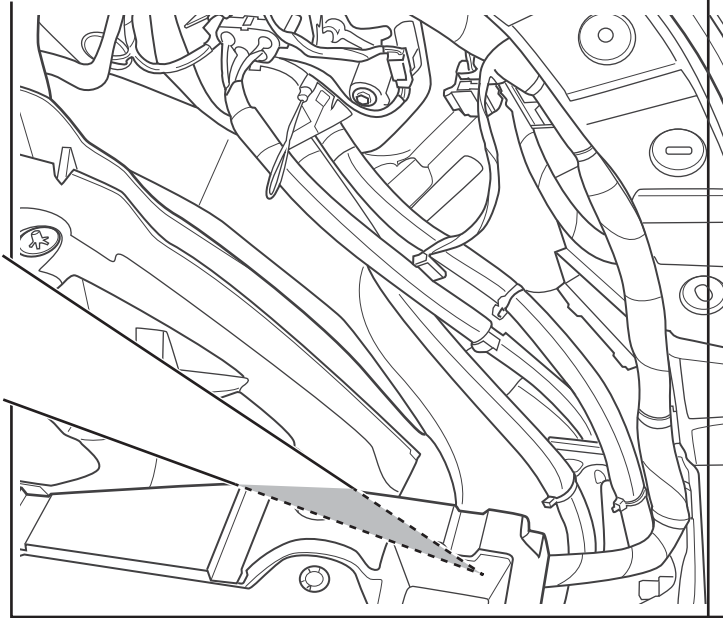
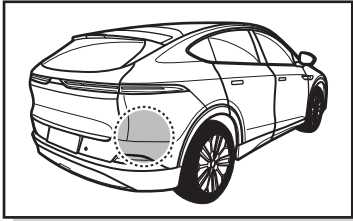
Please note different wire-size slots in CANbus connector!

0.5-0.75 mm<sup>2</sup>  
0.35 mm<sup>2</sup>

---

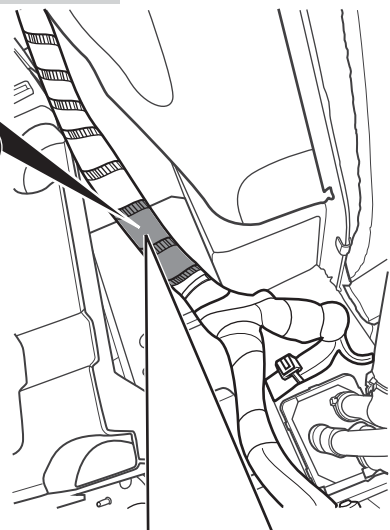
Orange/Green  
Yellow  
C

→ ←



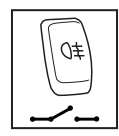
Remove tape

1



2

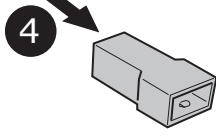
Red/Green



3

1

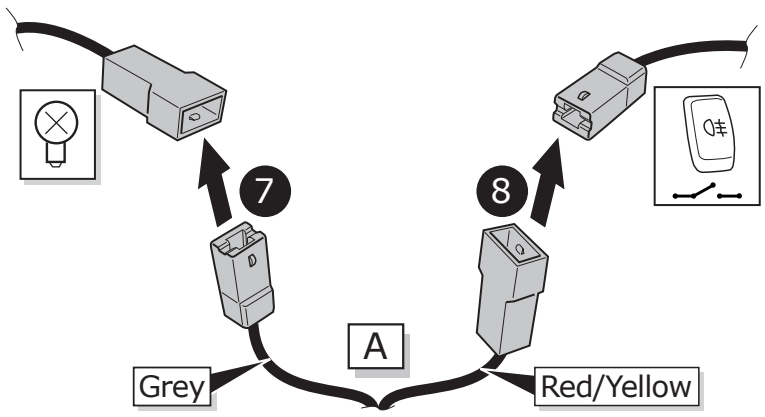
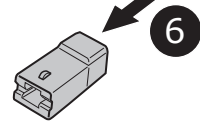
2



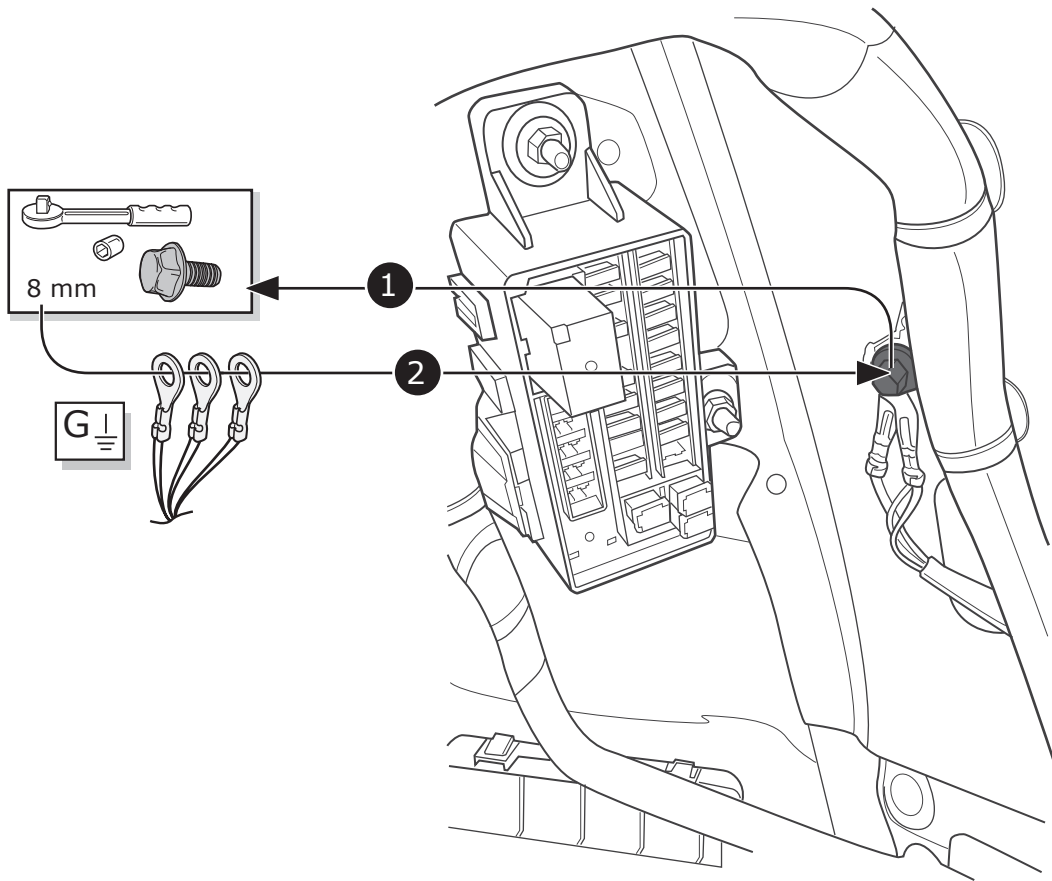
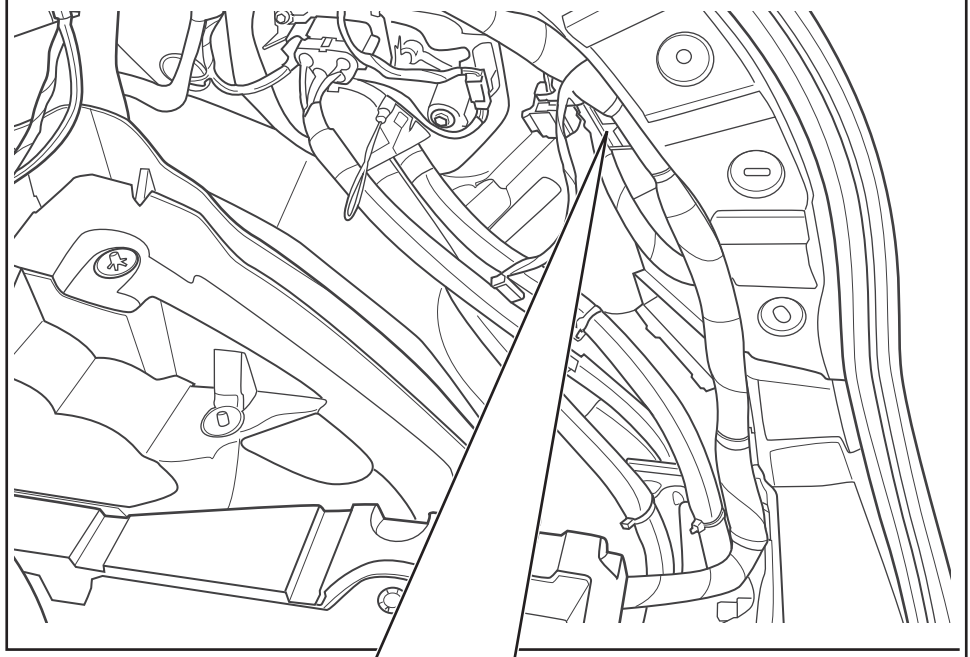
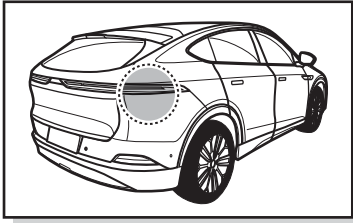
5

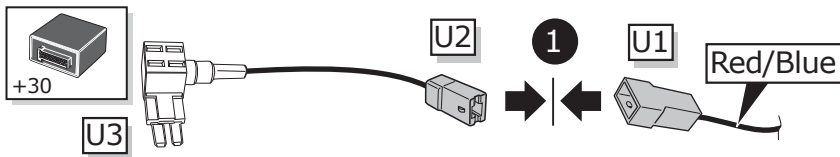
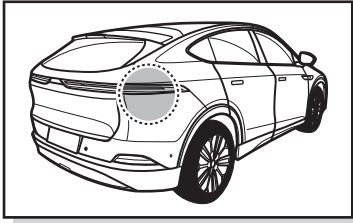
1

2

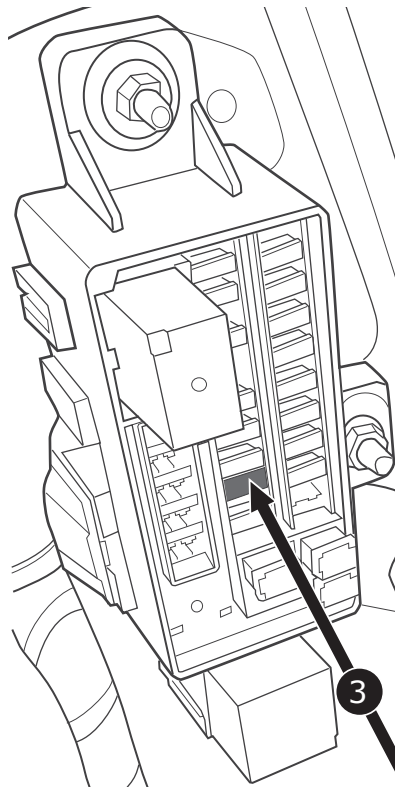
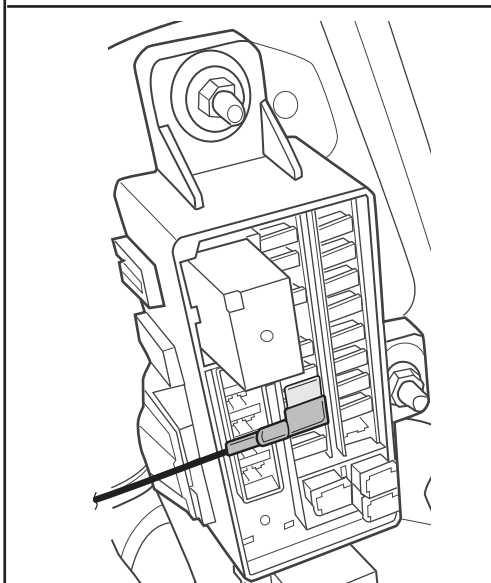


15



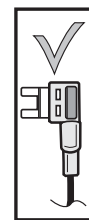
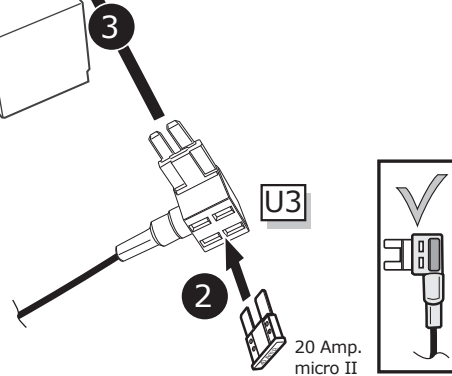


**Choose free position!**



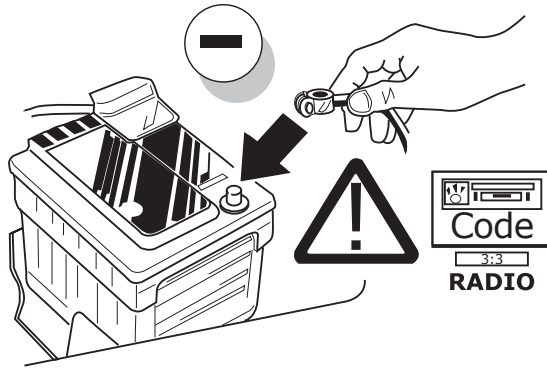
**Wichtig!**  
Die Sicherungsbrücke darf nicht in entgegengesetzter Richtung eingebaut werden!

**Important!**  
Please do not mount the fuse tap and its wiring output in the other direction!

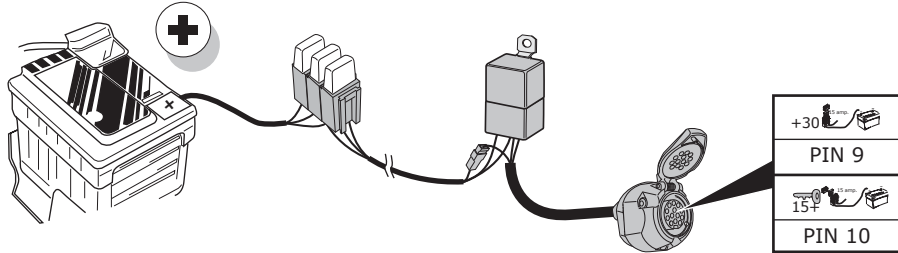


17

18



Optional



Extension kit  
UV-007-ZZ



19

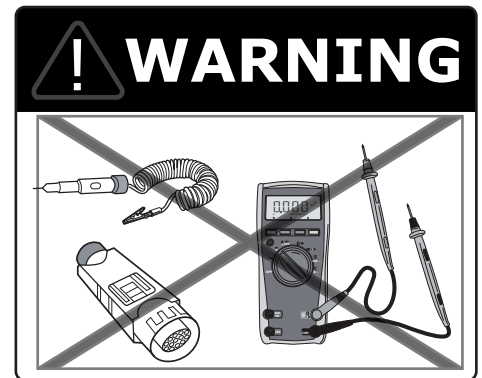
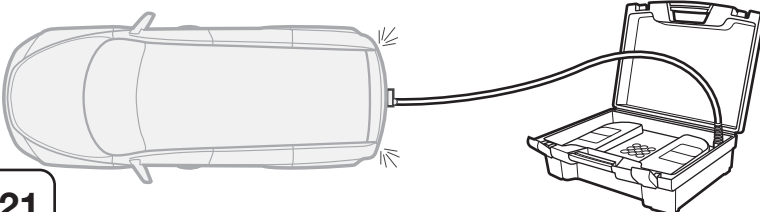
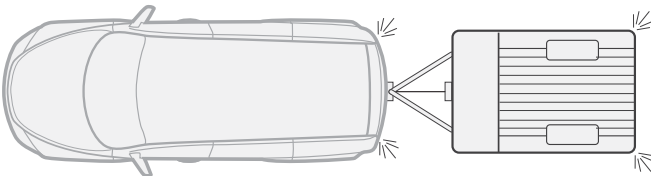
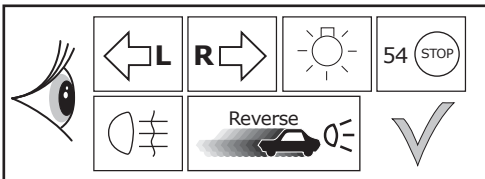
Optional



Trailer Simulator for 7- and 13-pin Sockets

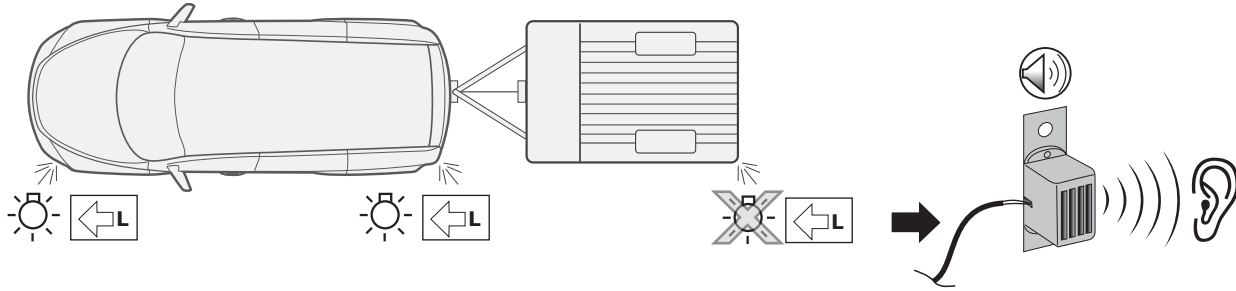
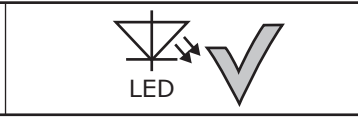
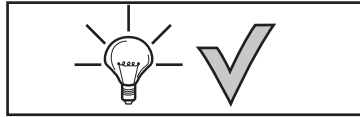
20

Functional test

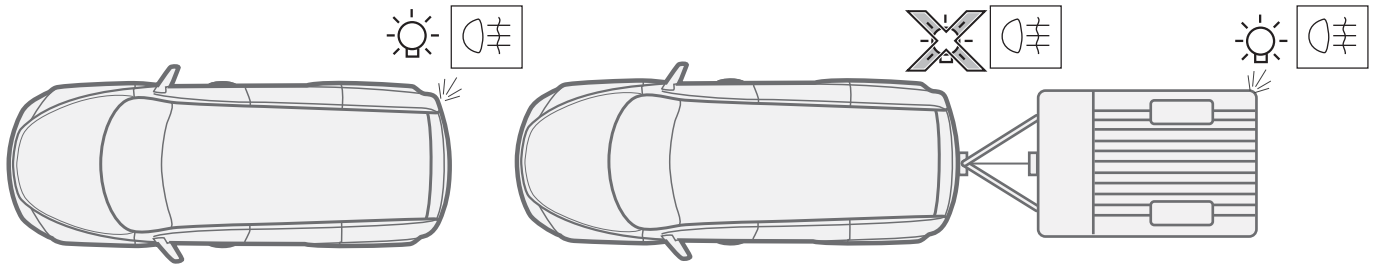


TRAILER  
TEST DEVICE

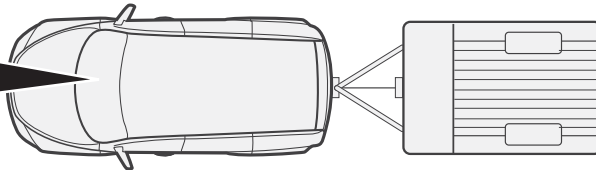
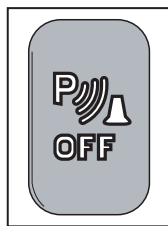
21



22



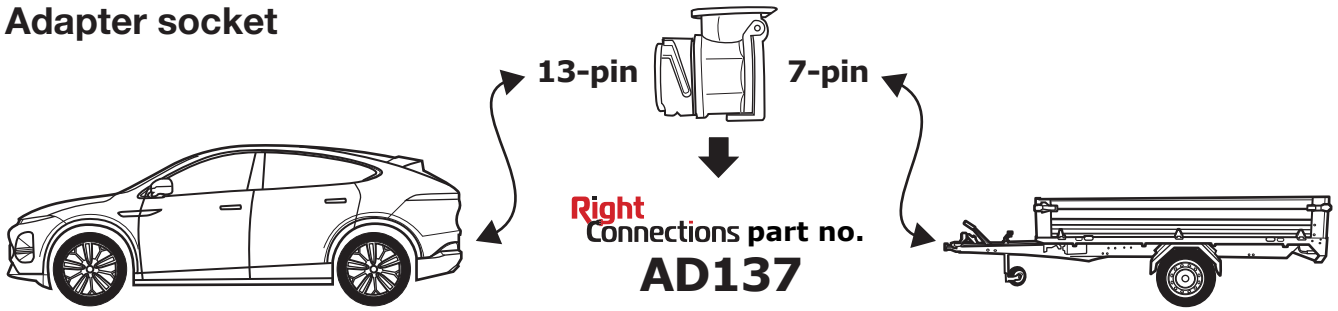
**PDC to be deactivated manually!**



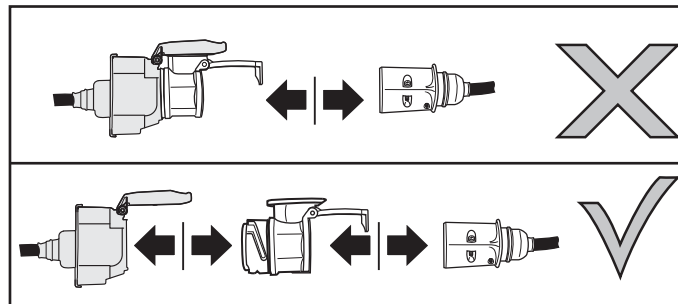
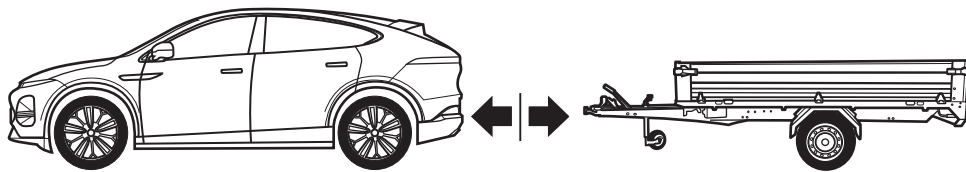
23

**Optional**

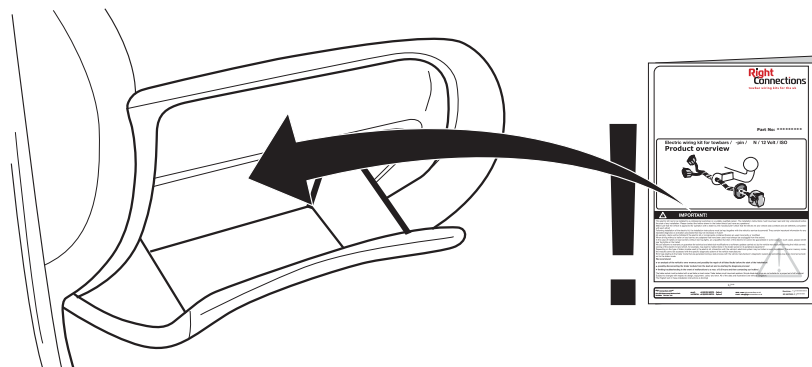
### Adapter socket



24

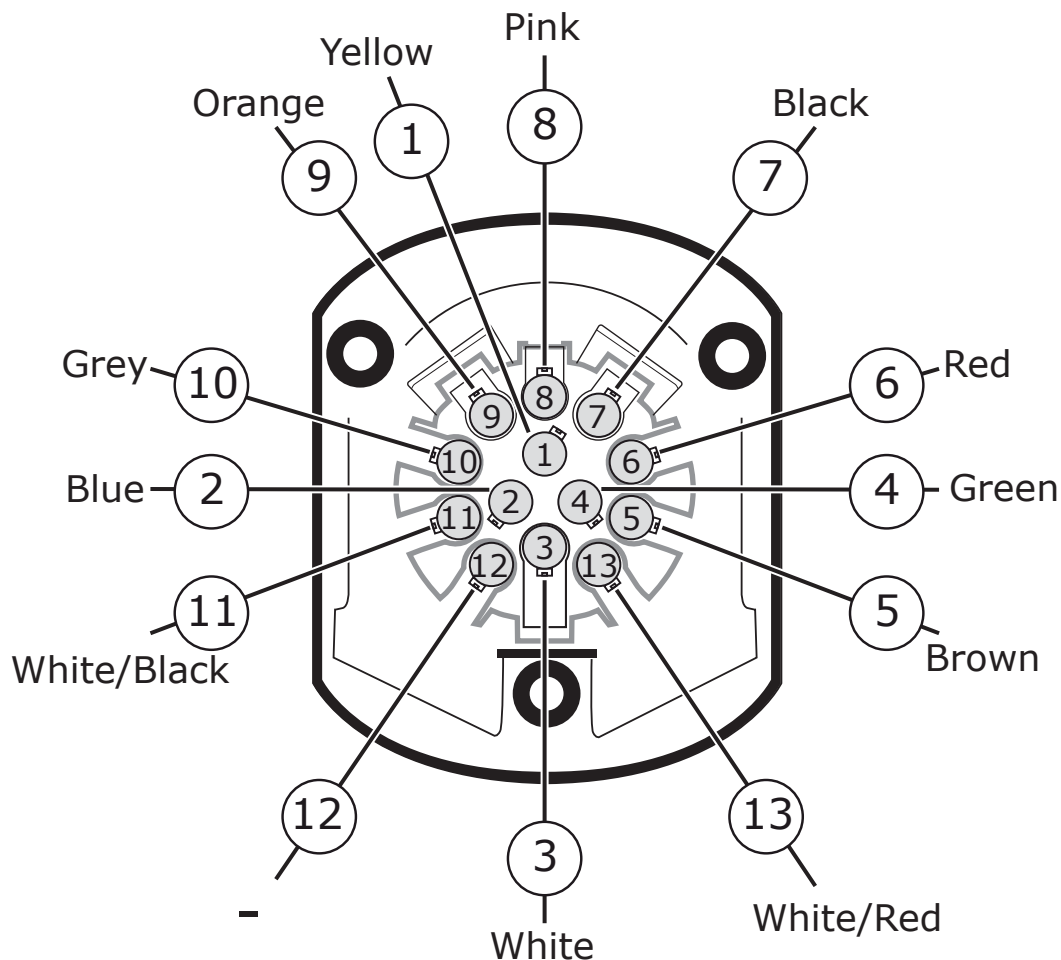
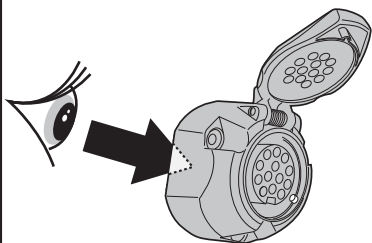


25



26

## SOCKET CONNECTION



## SOCKET CONNECTION

|                  |        |      |       |       |        |       |        |      |        |        |             |    |           |
|------------------|--------|------|-------|-------|--------|-------|--------|------|--------|--------|-------------|----|-----------|
| DIN/ISO<br>11446 |        |      |       |       |        |       |        |      |        |        |             |    |           |
|                  | 1/L    | 2    | 3/31  | 4/R   | 5/58-R | 6/54  | 7/58-L | 8    | 9      | 10     | 11          | 12 | 13        |
| Pmax             | 21W    | 42W  |       | 21W   | 42W    | 3x21W | 42W    | 42W  | OPTION | OPTION |             |    |           |
| Colour           | Yellow | Blue | White | Green | Brown  | Red   | Black  | Pink | Orange | Grey   | White/Black | -  | White/Red |