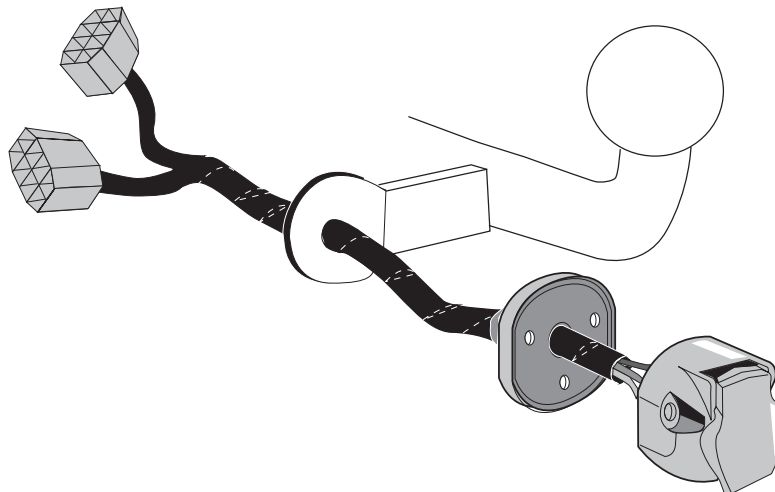


Part No: VW-195-13M

## Volkswagen

Golf VI	10/08->
Golf Plus	03/09->
Golf VI Estate	09/09->
Golf VI Cabriolet	06/11->
Eos	01/11->

# Electric wiring kit for towbars / 13-pin / 12 Volt / ISO 11446 Fitting instructions



## IMPORTANT!

This electric kit has to be installed by a professional workshop or a suitable qualified person. The installation instructions must have been read and fully understood before the start of any installation. Please contact your wiring kit provider or the hotline shown in the footer should you need assistance!

Make sure the vehicle is approved/homologated by the manufacturer to tow a trailer!

Also please check that there is a definite compatibility between this vehicle and the electric kit!

Following the installation of the electric kit, the fitting instructions should be kept together with the vehicle service document and vehicle handbook. The fitting instructions contain important information relating to the use and function of the towing kit as well as for any diagnostic or activation process, that might have to be repeated in the future (e.g. after the performance of a vehicle software update).

All warranty claims will be forfeited if the electric kit or components contained therein are used incorrectly or modified. If a towing socket adaptor has been used to connect to the trailer or bike rack, this must be removed from the trailer socket once the trailer or bike rack has been disconnected.

If the trailer or bike rack is not equipped with a rear fog lamp, depending on the towing vehicle type, the correct function of the towing kit cannot be guaranteed. In such cases, a rear fog lamp should be retro fitted.

This towing electric kit will not be covered under warranty if any technical or electrical modifications or software updates have been performed by the vehicle manufacturer after the initial commissioning of the kit. That applies especially to modifications or updates which may cause malfunctions in the trailer socket or any other part of the trailer electrical equipment!

Depending on the type of trailer module used in this electric kit, diagnostic interrogation with the vehicle's electrical system may be limited or will not function. The error memory inside the trailer module may not be able to be accessed by vehicle manufacturers diagnostic system.

Error logs relating to the trailer electrical equipment, that may be generated in the vehicle manufacturers diagnostic system as a result of a test procedure, may be due to the incorrect installation of the towing electric kit or the false activation of the trailer module.

**We always recommend whenever possible, the following troubleshooting process:**

→ **An analysis of the vehicle's error memory and possibly clearing of all faults before the start of the installation!**

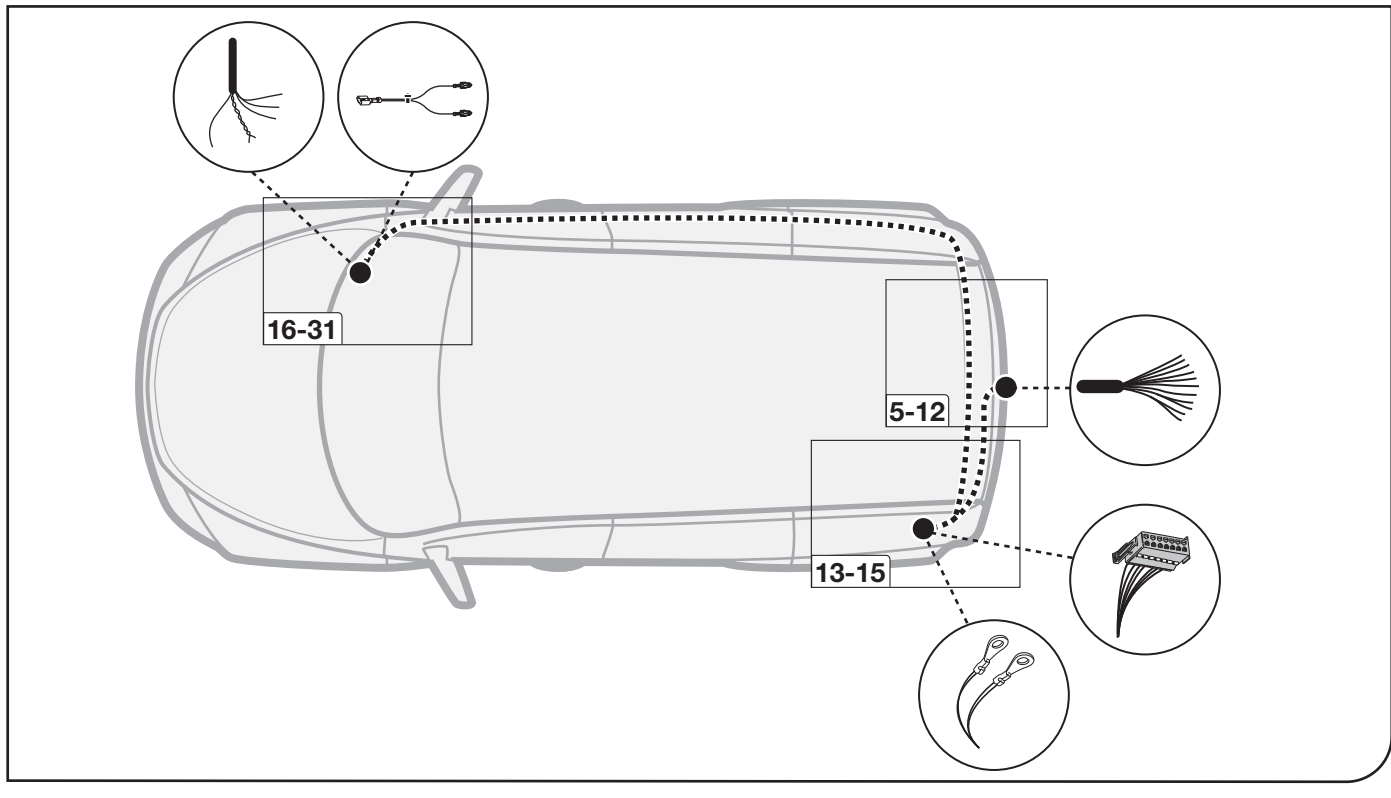
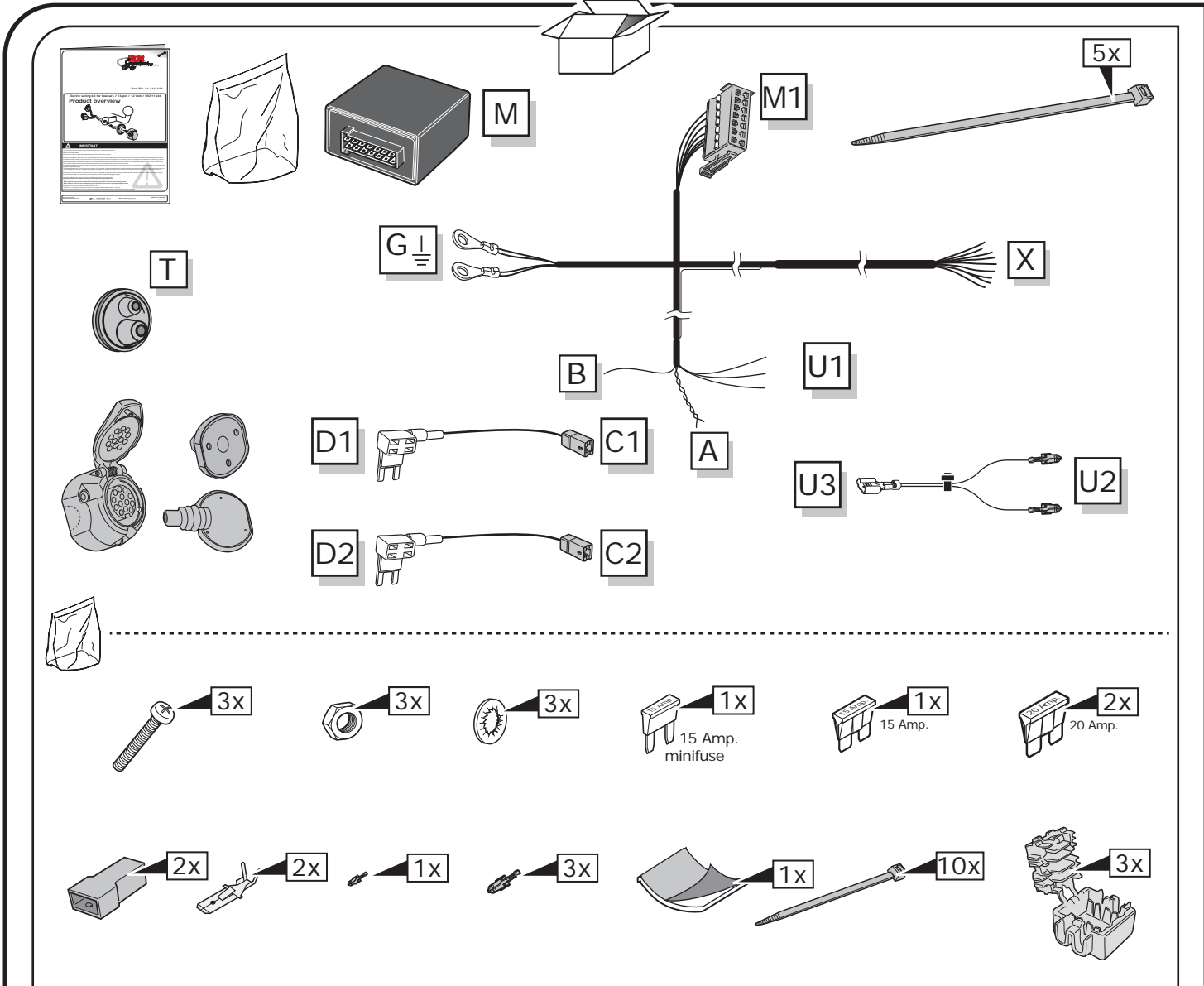
→ **Try disconnecting the trailer module from the towing harness and re-start the fault clearing process!**

→ **If in doubt, limit the time for troubleshooting to a max of 0,5 hours and call our Technical Support Team!**

Please follow our instructions carefully and always test the towing electrics using a true lighting board or a specifically designed bulb tester. If an LED tester is used, ensure it is equipped with correct load resistors or malfunctions will occur!

This instruction is subject to changes and we reserve the right to make changes to design, colour etc.

All of the data and illustrations may not be an exact representation but the text contained in this instruction must be observed!

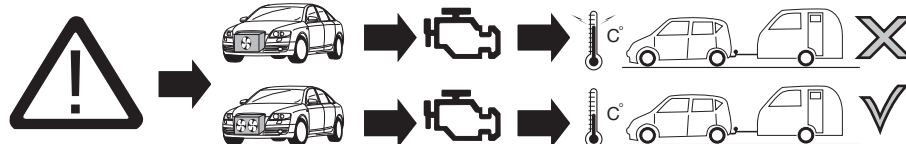
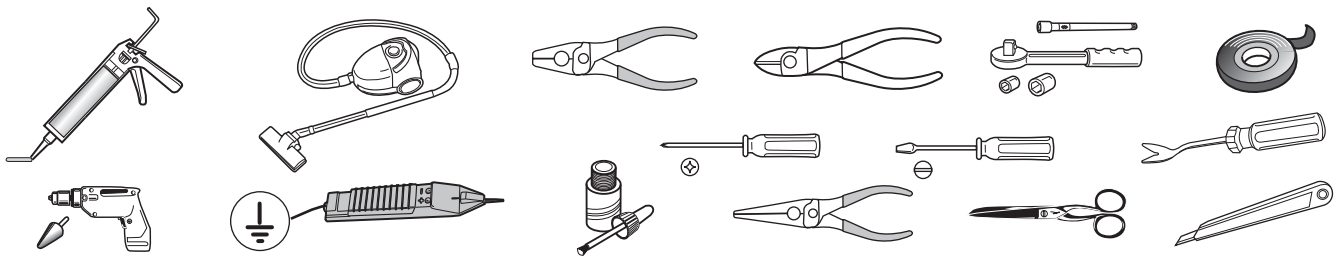


## SYMBOL EXPLANATION

	Left (58-L) respectively Right (58-R) tail light
54	Stop light (54) / high mounted, third stop light (54)
	Turn signal indicator left
	Turn signal indicator right
	Rear fog light(s)
	Reversing light(s)
	Permanent power supply / 13pin socket, chamber 9
	Charging wire for trailer battery / 13pin socket, chamber 10
	Trailer / trailer recognition
<b>B+ / 30</b>	Permanent current power supply
	Ground or Earth (31)
	Ground connection battery terminal lug
	Positive connection battery terminal lug

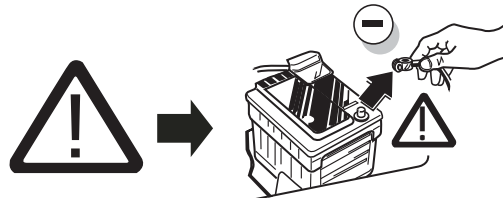
	Cigarette lighter / accessory socket
	Loudspeaker / buzzer
	Park Distance Control
	Switch / source of function
	Connect together
	Disconnect
	Look at / See further information
	Look carefully at selected area
	Present / Occupied / OK
	Not present / Not occupied / Not OK
	Acoustic indication
	Attention / important advice
	Fuse / fuse capacity 20 Ampère

## TOOLS



## ATTENTION!

The vehicle's cooling capacity may have to be increased when retrofitting a trailer coupling!  
You must observe the manufacturer's instructions!!



Note: It may be necessary to check if this vehicle has a stored radio code before disconnecting the battery!



## ATTENTION!

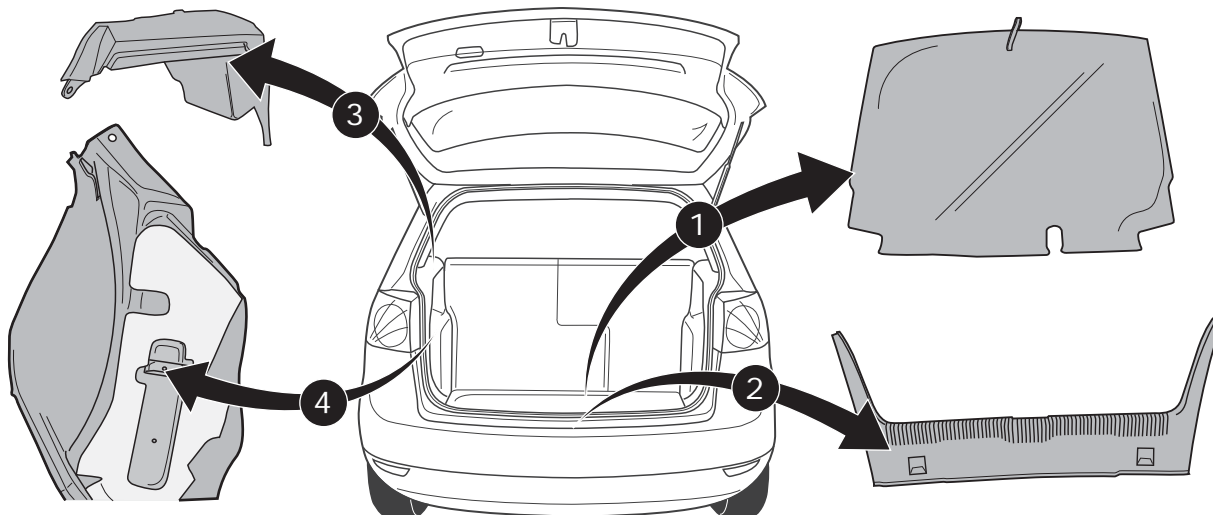
In order to avoid mal-functions and damage to the vehicle's electrical system the earth terminal **must be disconnected** from the vehicle's battery **before starting work!**

Both the trailer module and the vehicle's control unit for the electrical system can be damaged during work on the data bus connections if the battery is not disconnected!

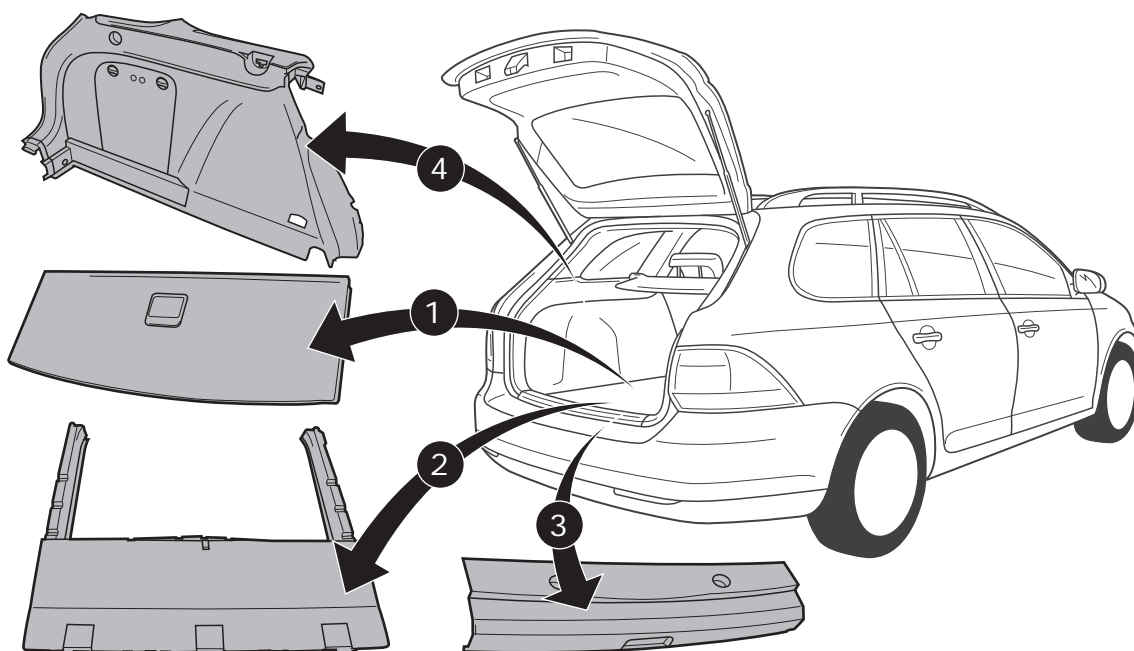
1

Please pay attention to the manufacturer's instructions when disconnecting and reconnecting the vehicle's battery!

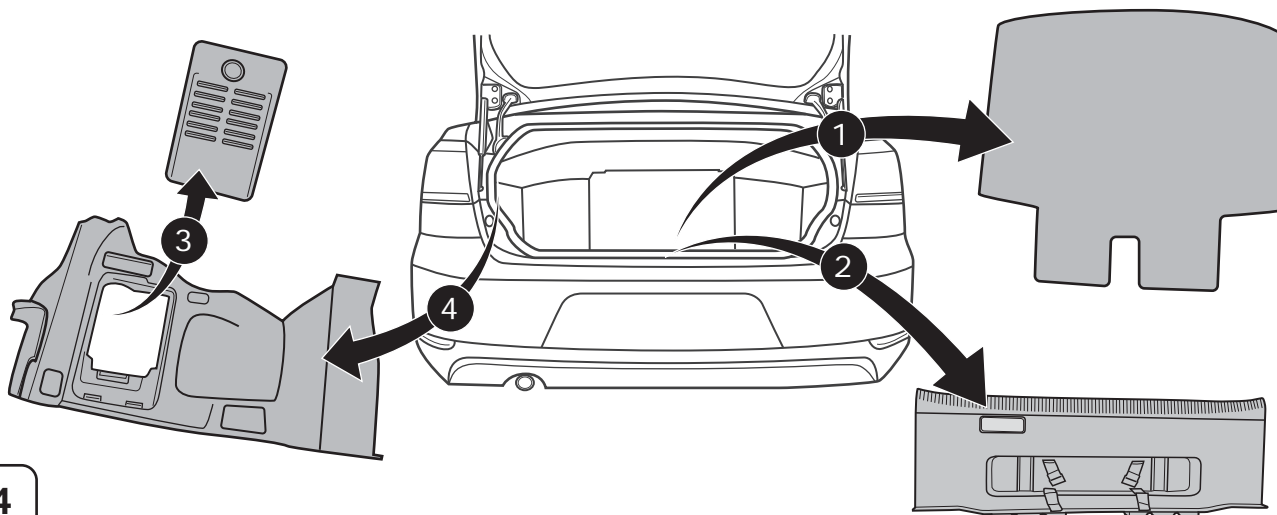
### Golf VI/ Golf Plus/ Eos



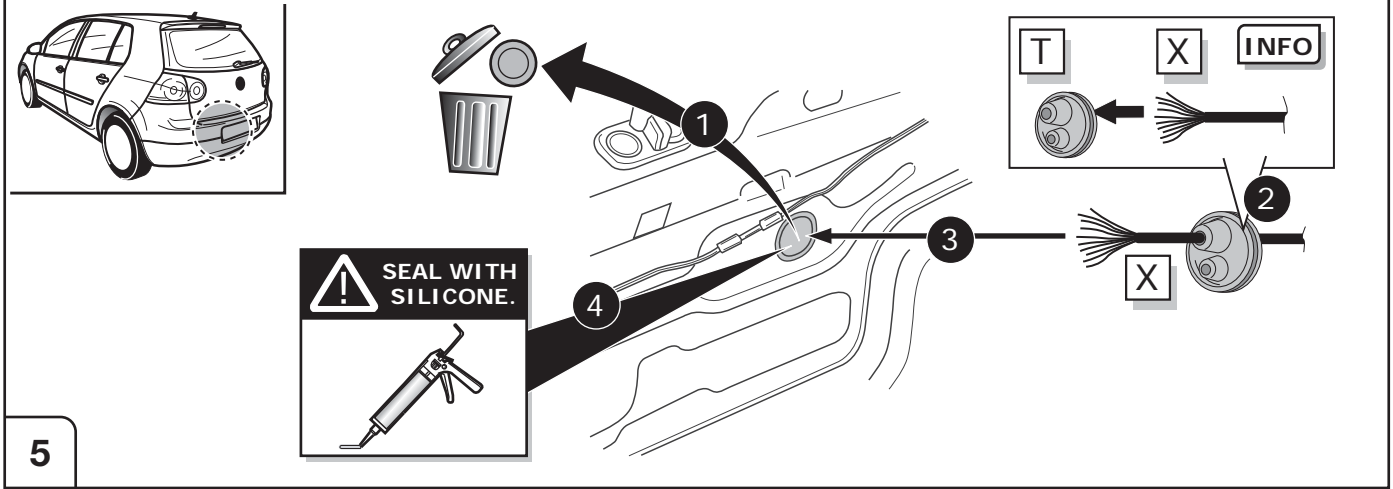
### Golf VI Estate



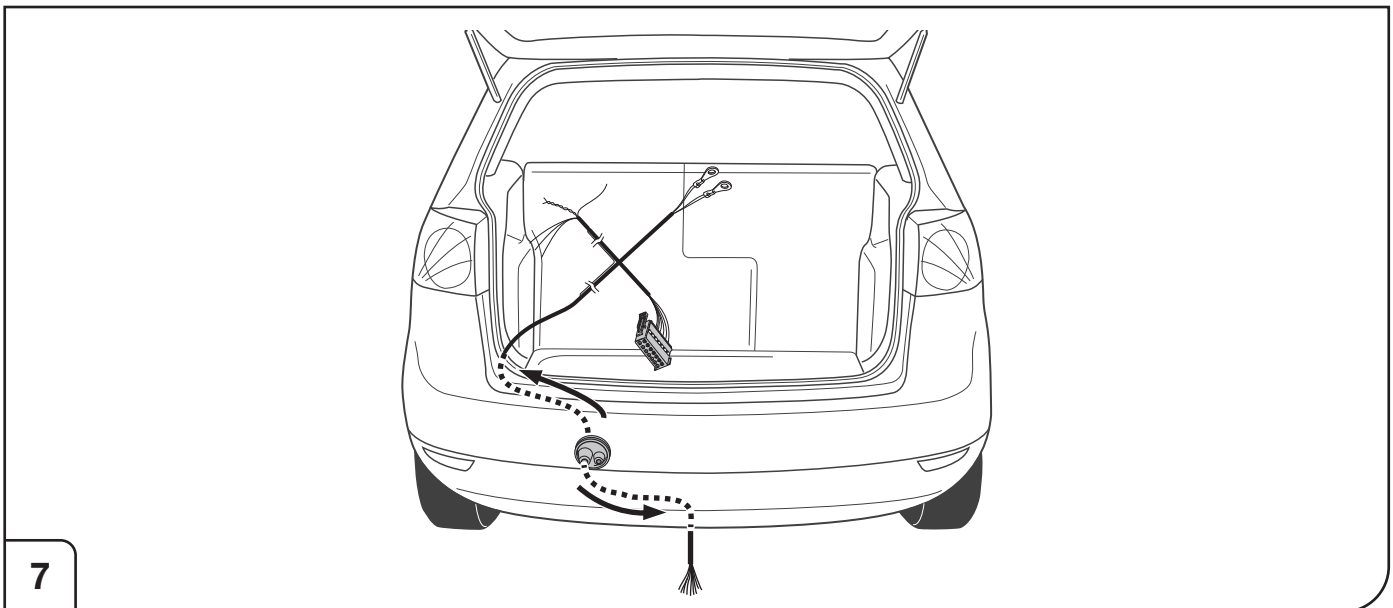
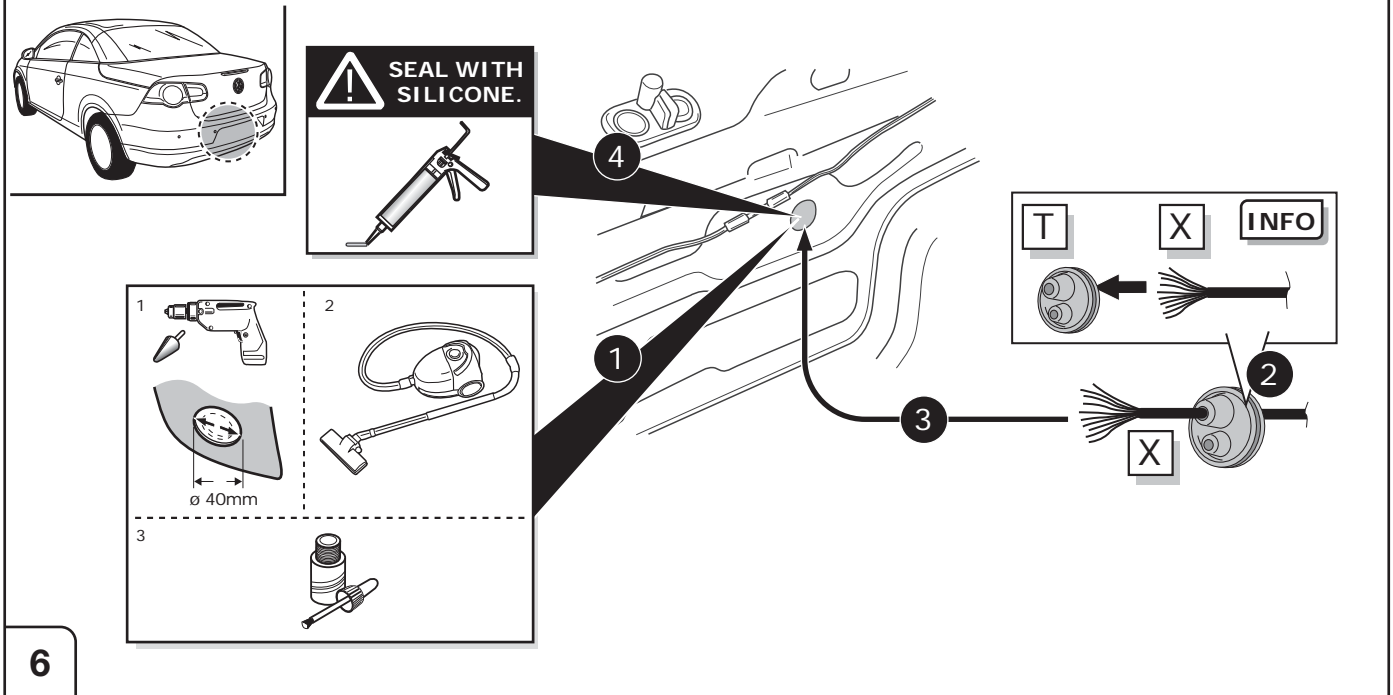
### Golf VI Cabriolet



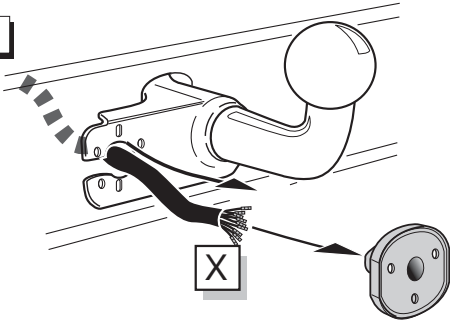
Golf VI/ Golf Plus/ Golf VI Estate/ Eos



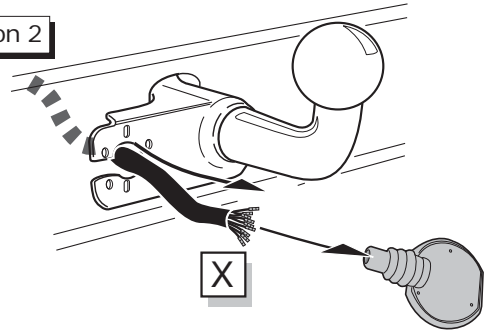
Golf VI Cabriolet



Option 1



Option 2



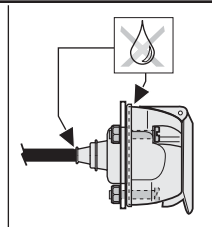
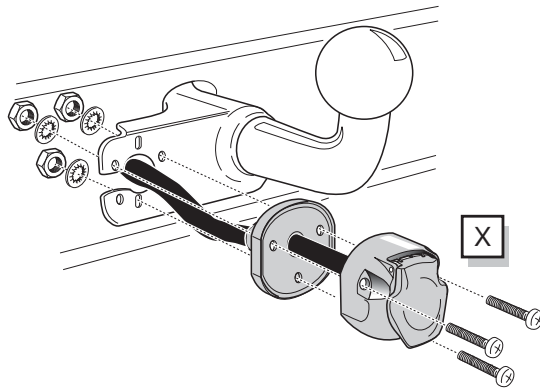
8

### SOCKET CONNECTION

DIN/ISO 11446	←L	⊕	⊖ 1-8	R→	☀	⊖	☀	Reverse	30°	15°	⊖ 10	—	⊖ 9
	1/L	2	3/31	4/R	5/58-R	6/54	7/58-L	8	9	10	11	12	13
Pmax	21W	21W		21W	42W	3x21W	42W	21W	240W	180W			
Colour	Yellow	Blue	White	Green	Brown	Red	Black	Pink	Orange	Grey	White/Black	-	White/Red

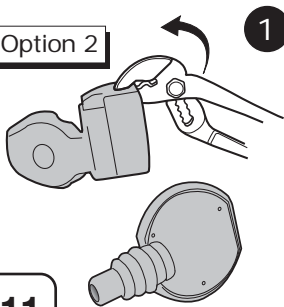
9

Option 1

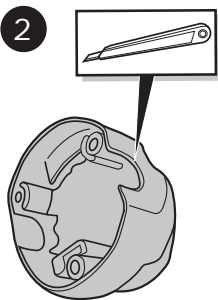


10

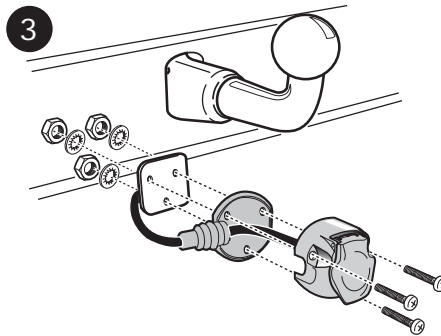
Option 2



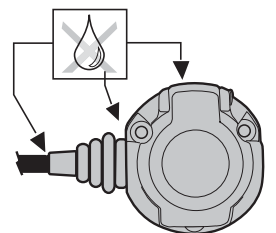
1



2

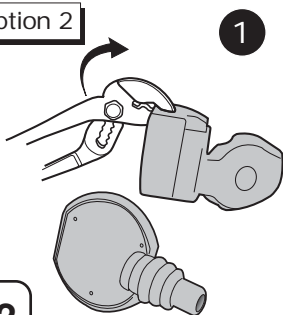


3

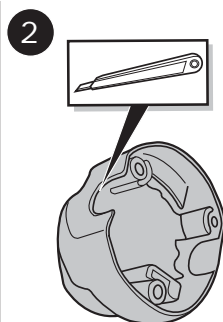


11

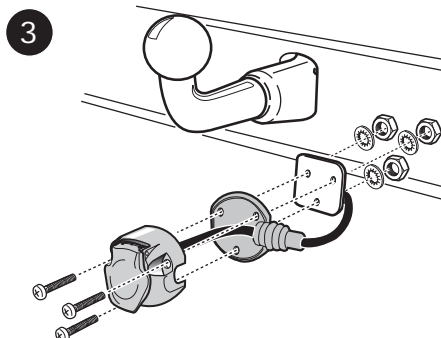
Option 2



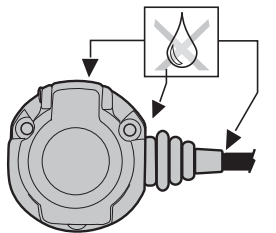
1



2

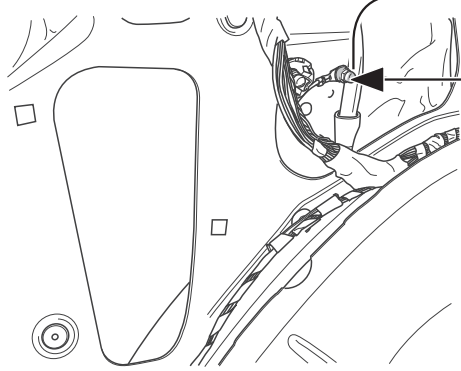
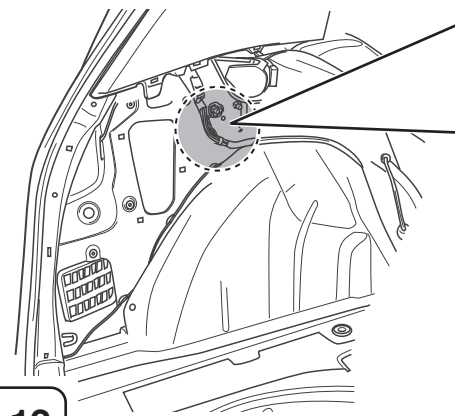
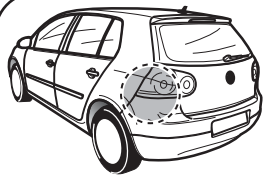


3



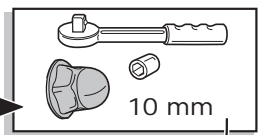
12





1

2

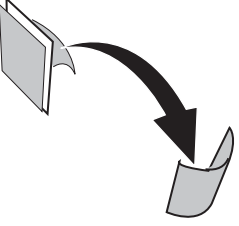


13

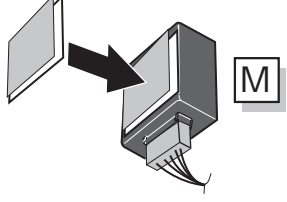
1



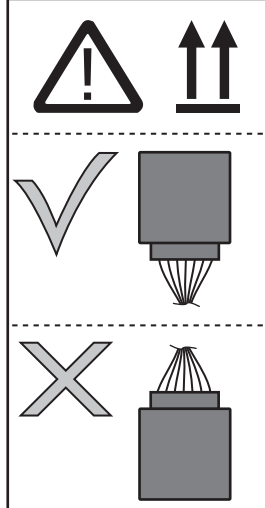
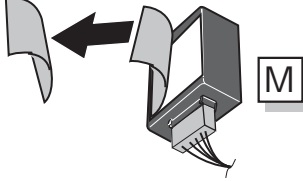
2



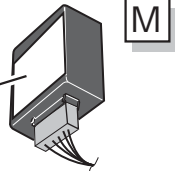
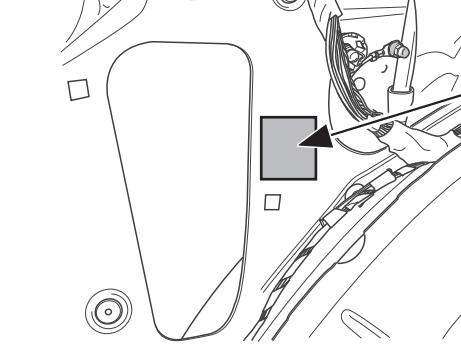
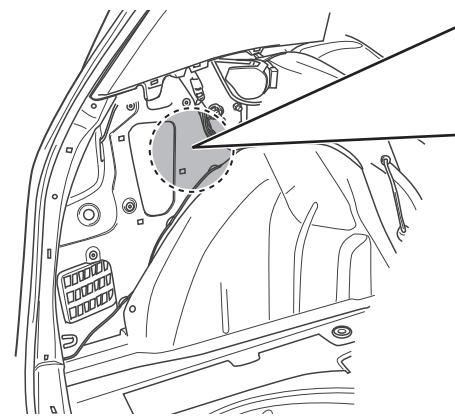
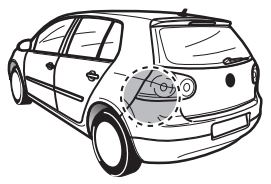
3



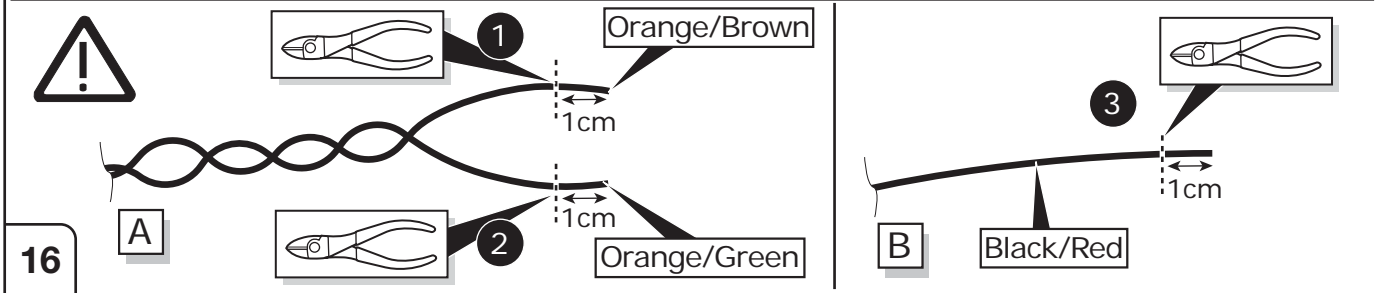
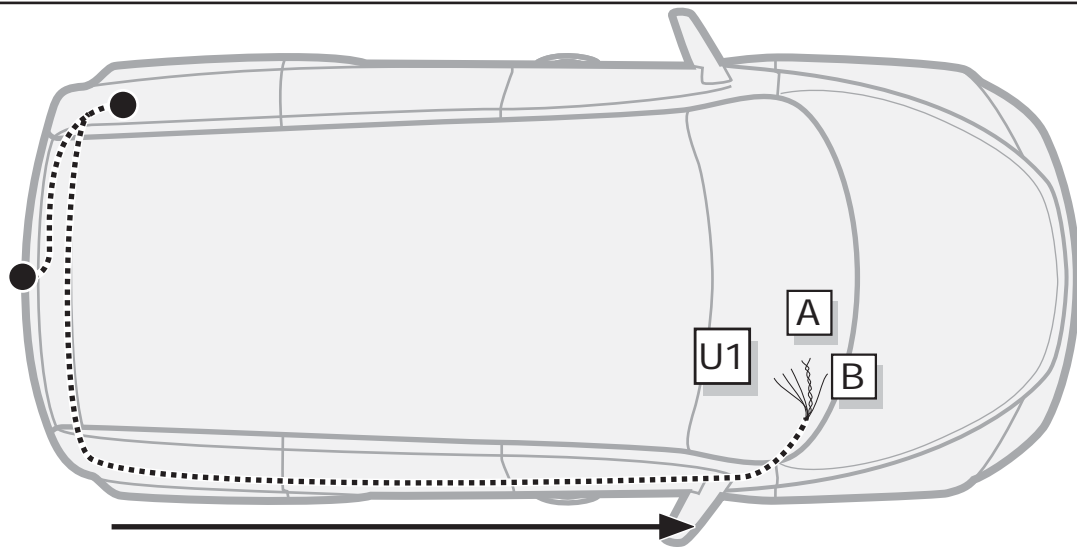
4



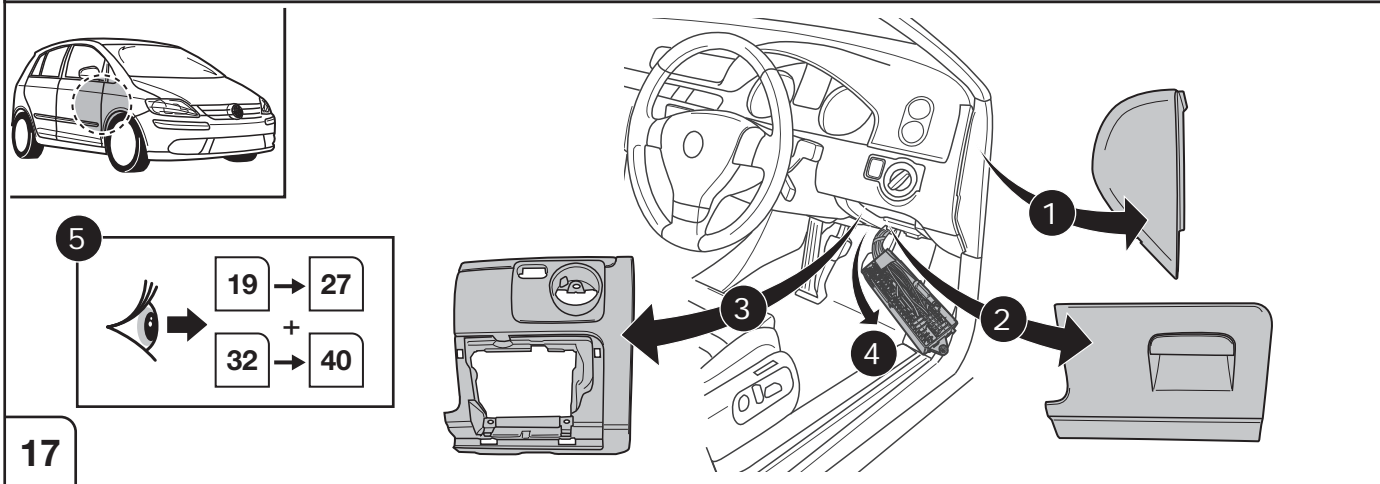
14



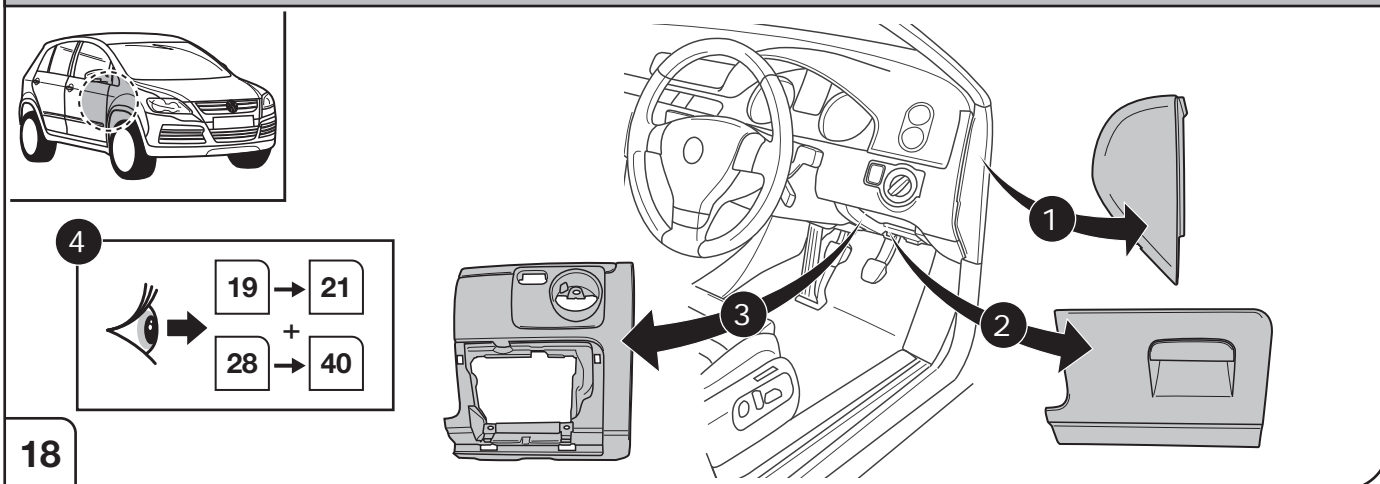
15



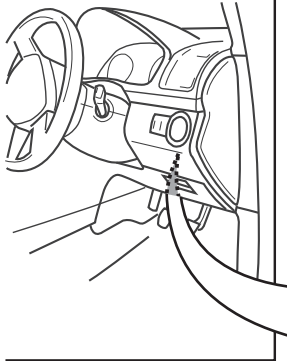
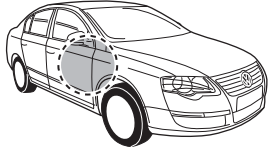
Golf Plus



Golf VI/ Golf Plus/ Golf VI Estate/ Golf VI Cabriolet/ Eos



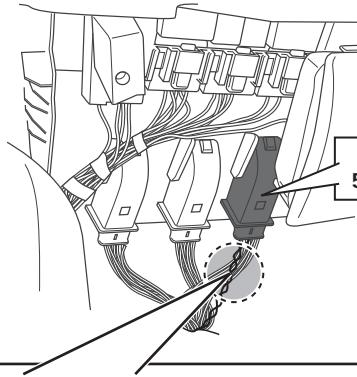




### CAN-Data Wire

Orange/Green	Chamber 15	⚠
Orange/Brown	Chamber 16	

### Network control unit

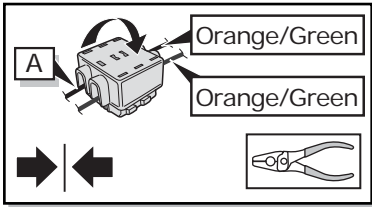


**⚠ Important!**  
Please note informations  
in picture 1!

Brown  
52-Pin

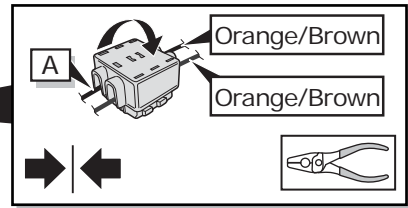
Orange/Green  
Chamber 15

Orange/Brown  
Chamber 16



1

Orange/Green

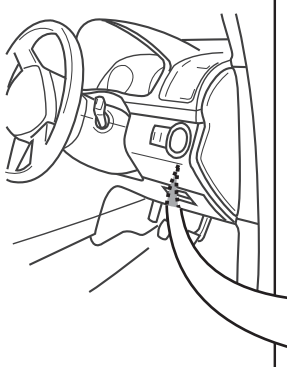
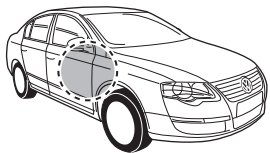


2

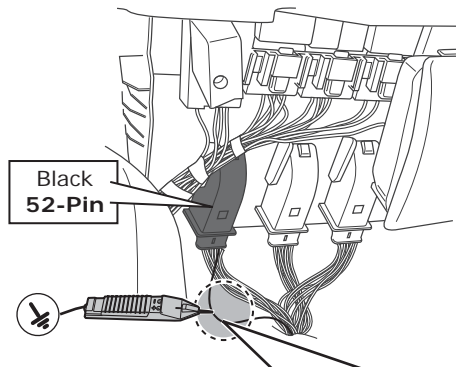
Orange/Brown

A

19



### Network control unit



Black  
52-Pin



**\* Golf VI / Golf Plus/ Eos**  
Red/Black

**\* Golf VI Estate**  
Black/Red

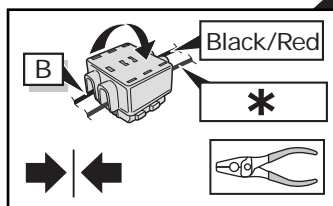
**\* Golf VI Cabriolet**  
White

54 STOP

**\***  
Chamber 45

Black/Red

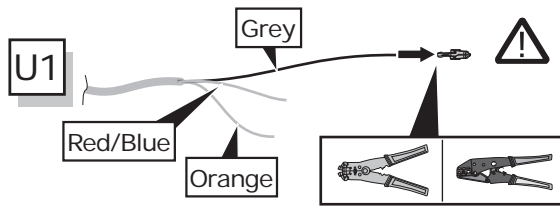
B



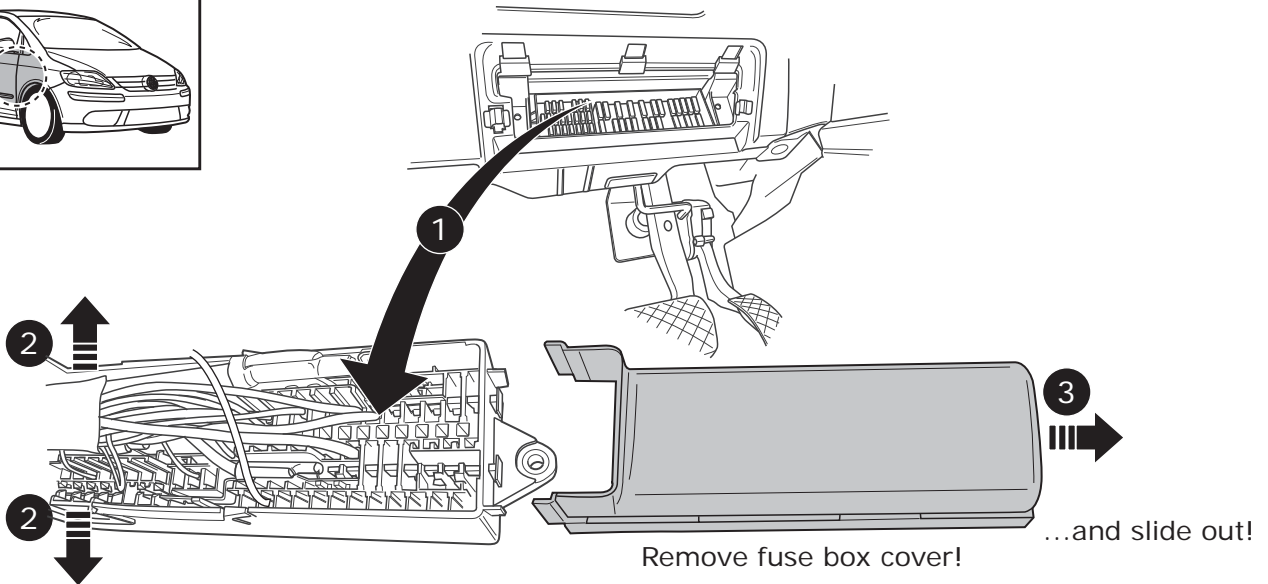
**⚠ Important!**  
Please note informations  
in picture 1!

20

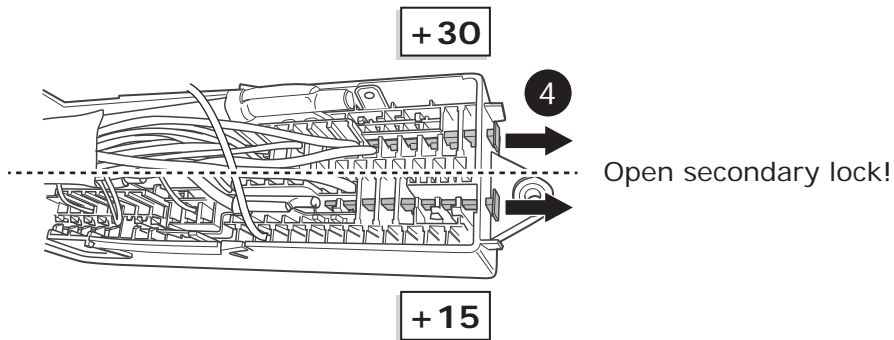
21



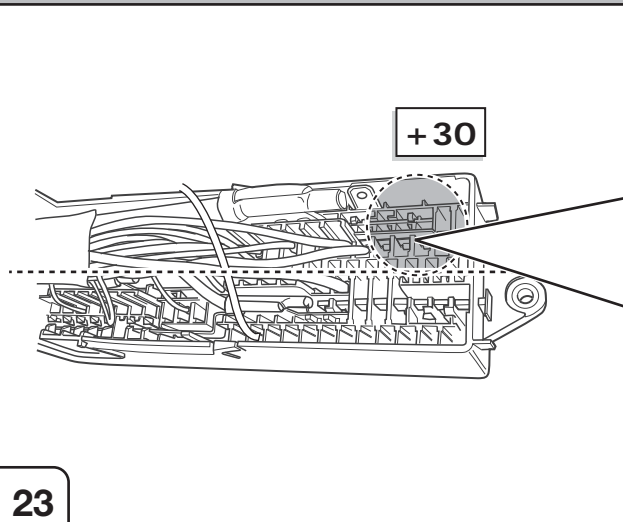
Golf Plus



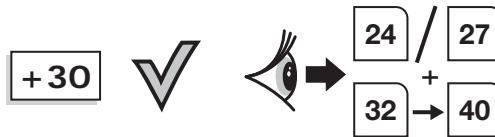
22



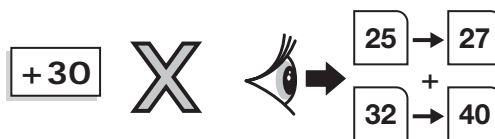
Golf Plus



There is prepared +30 location:

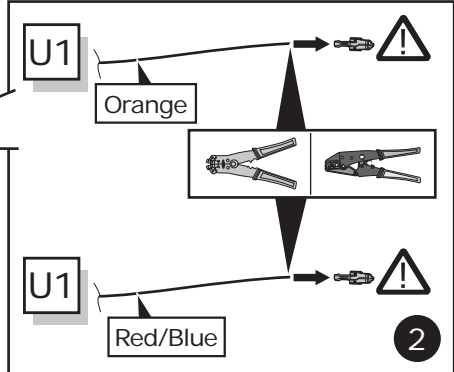
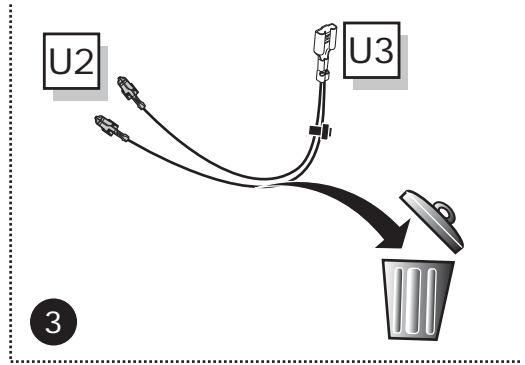
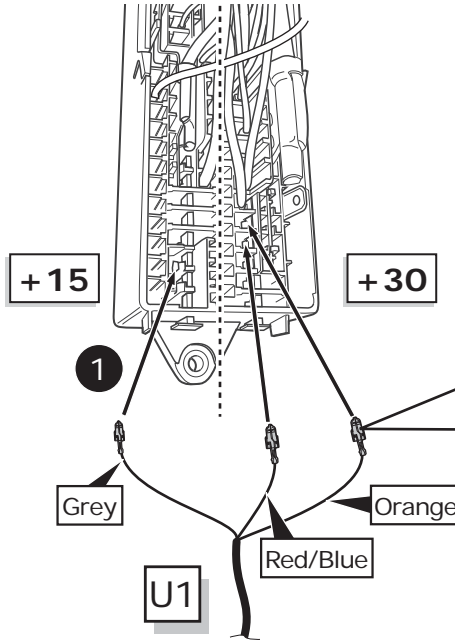
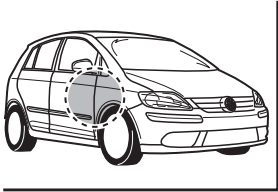


There is no prepared +30 location:



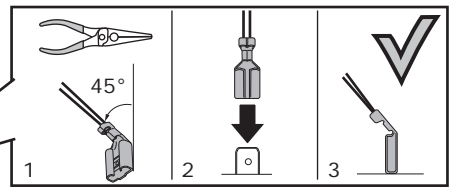
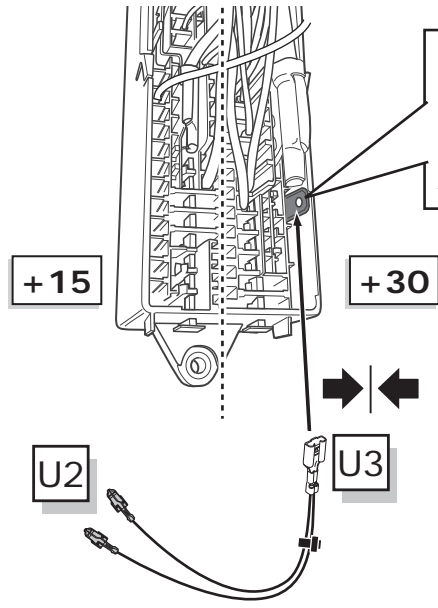
23

Golf Plus



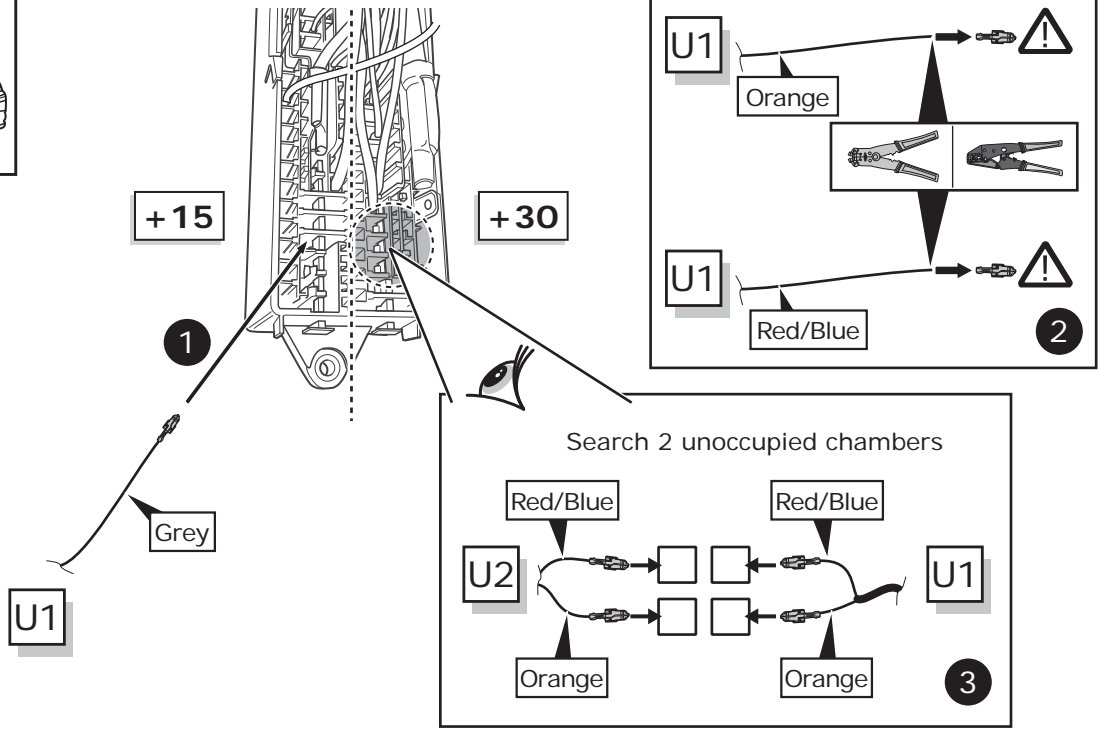
24

Golf Plus

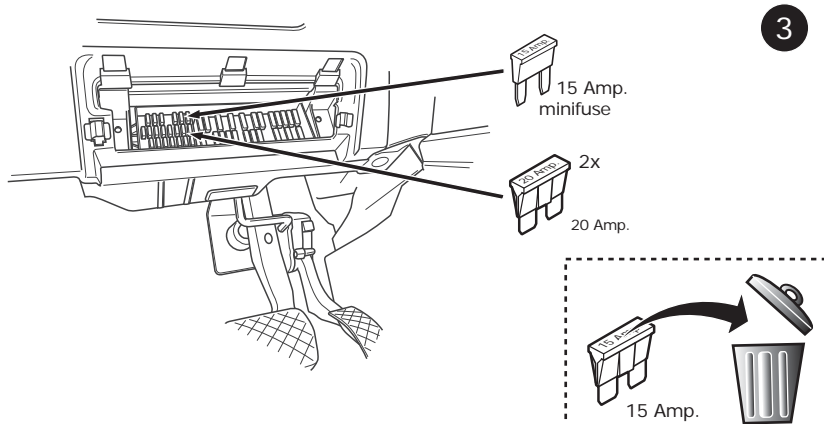
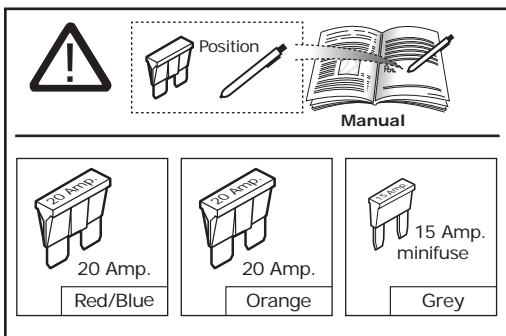
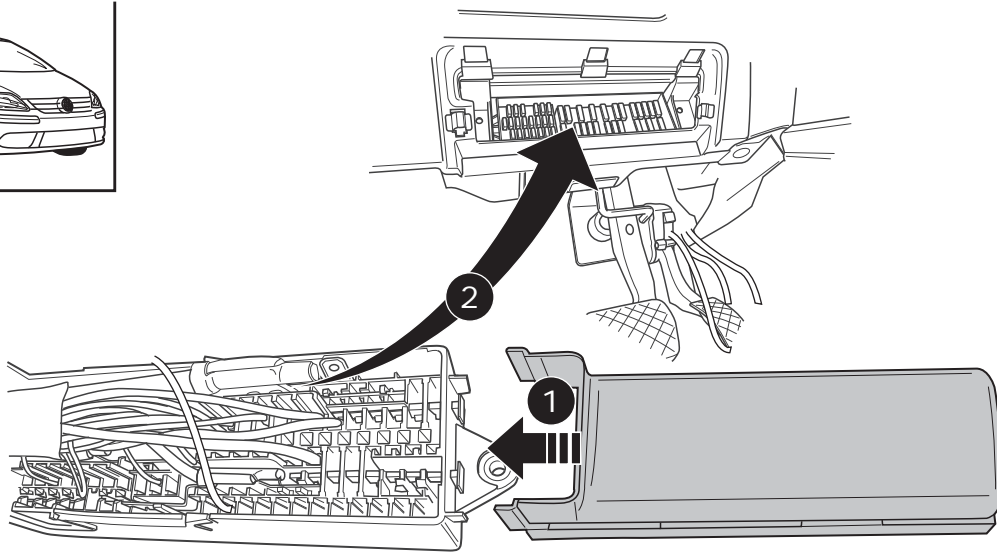


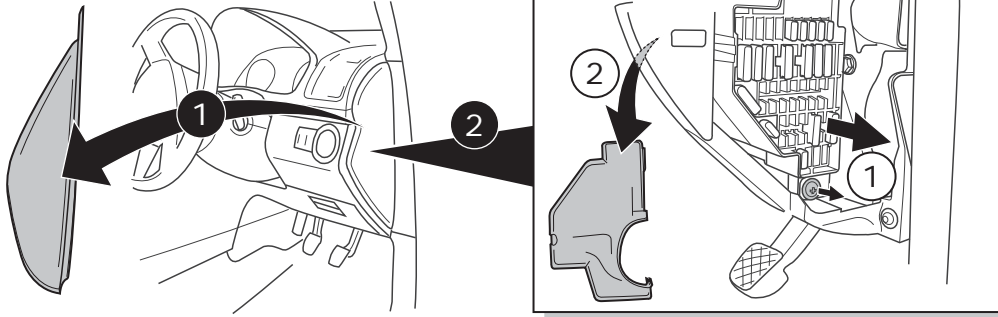
25

# Golf Plus

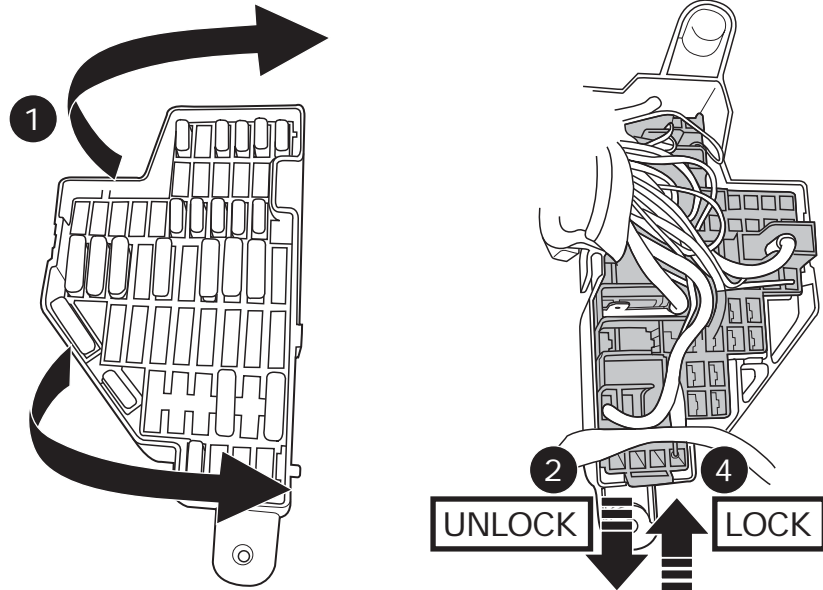


# Golf Plus

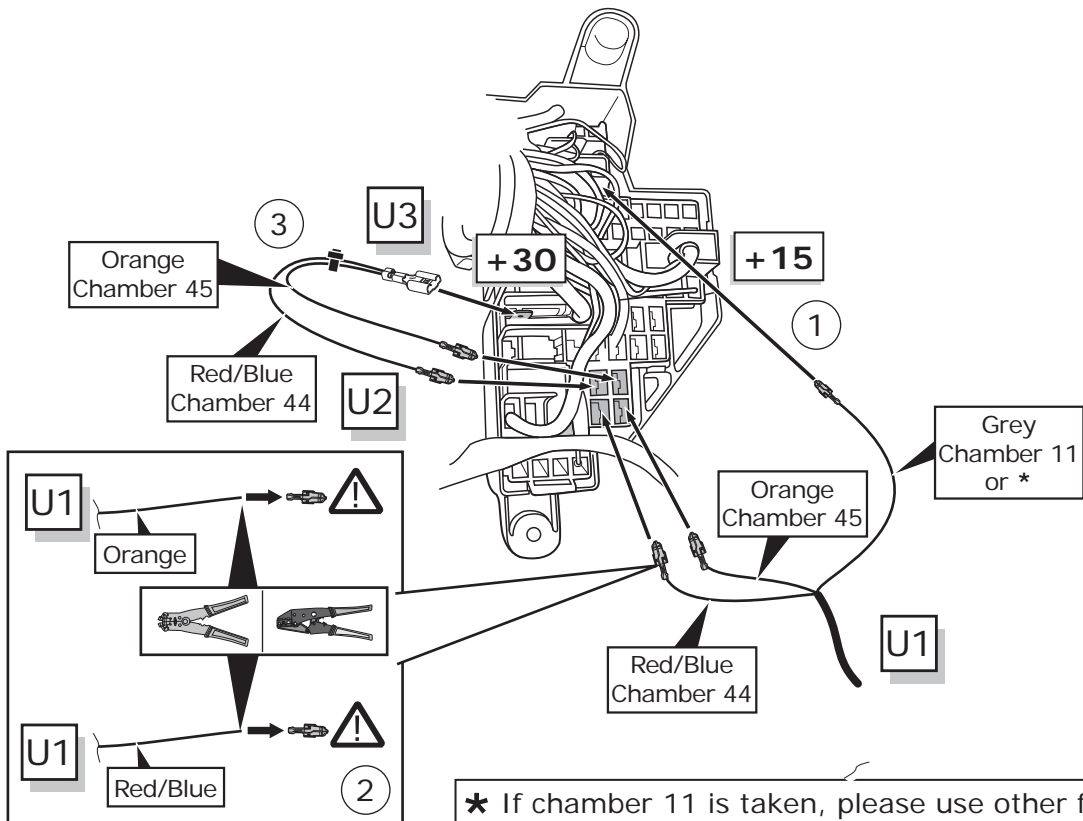




28



3



29

\* If chamber 11 is taken, please use other free chambers

Golf VI/ Golf Plus/ Golf VI Estate/ Golf VI Cabriolet/ Eos

★ If chamber 11 is taken, please use other free chambers



Chamber 11  
or \*  
15 Amp.  
minifuse

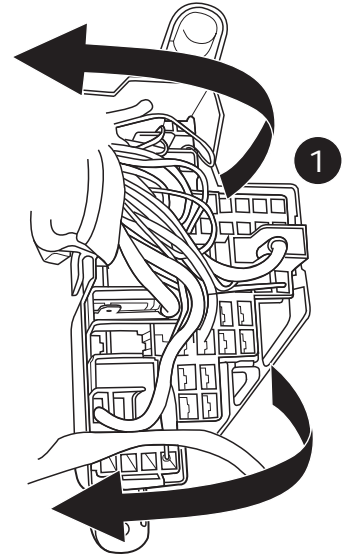
3



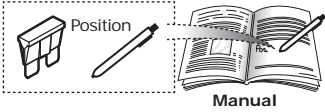
2

Chamber 45

Chamber 44

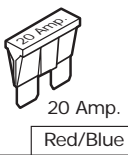


1



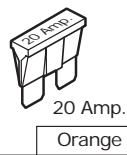
Position

Manual



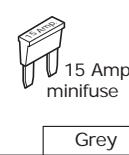
20 Amp.

Red/Blue



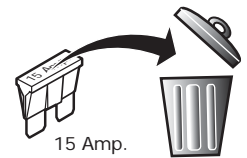
20 Amp.

Orange



15 Amp.  
minifuse

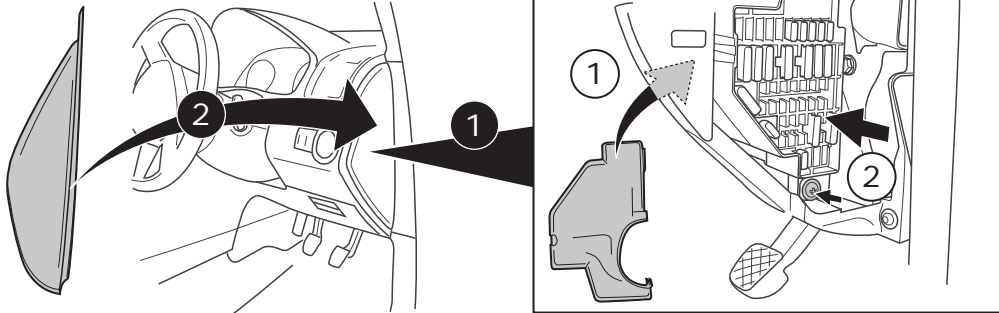
Grey



15 Amp.

30

Golf VI/ Golf Plus/ Golf VI Estate/ Golf VI Cabriolet/ Eos



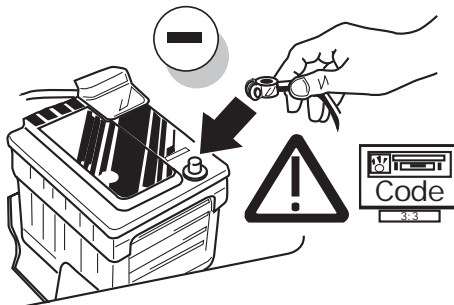
1

1

2

2

31



32



## Set up trailer operation

Golf VI	10/08->	→ Page 17
Golf Plus	03/09->	
Golf VI Estate	09/09->	
Eos	01/11->	→ Page 18
Golf VI Cabriolet	01/11->	→ Page 18

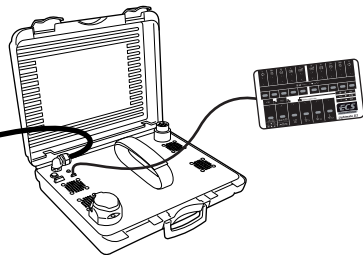
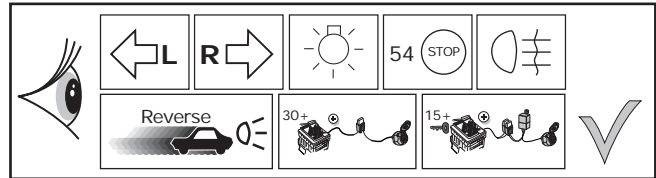
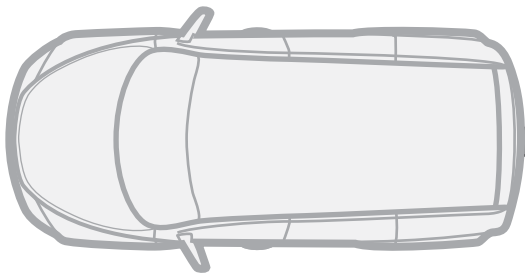
33

## Optional

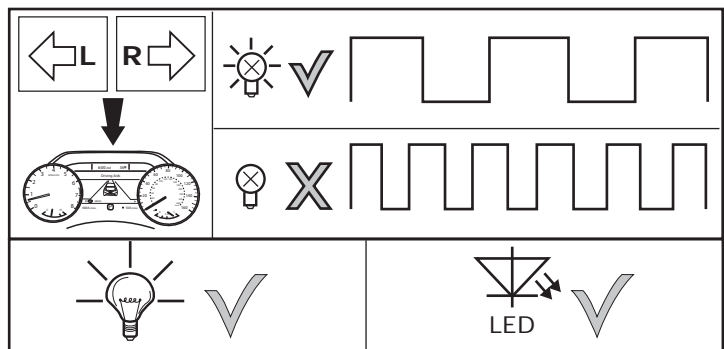
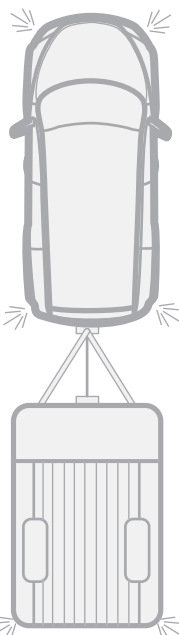


Trailer Simulator for 7- and 13-pin Sockets

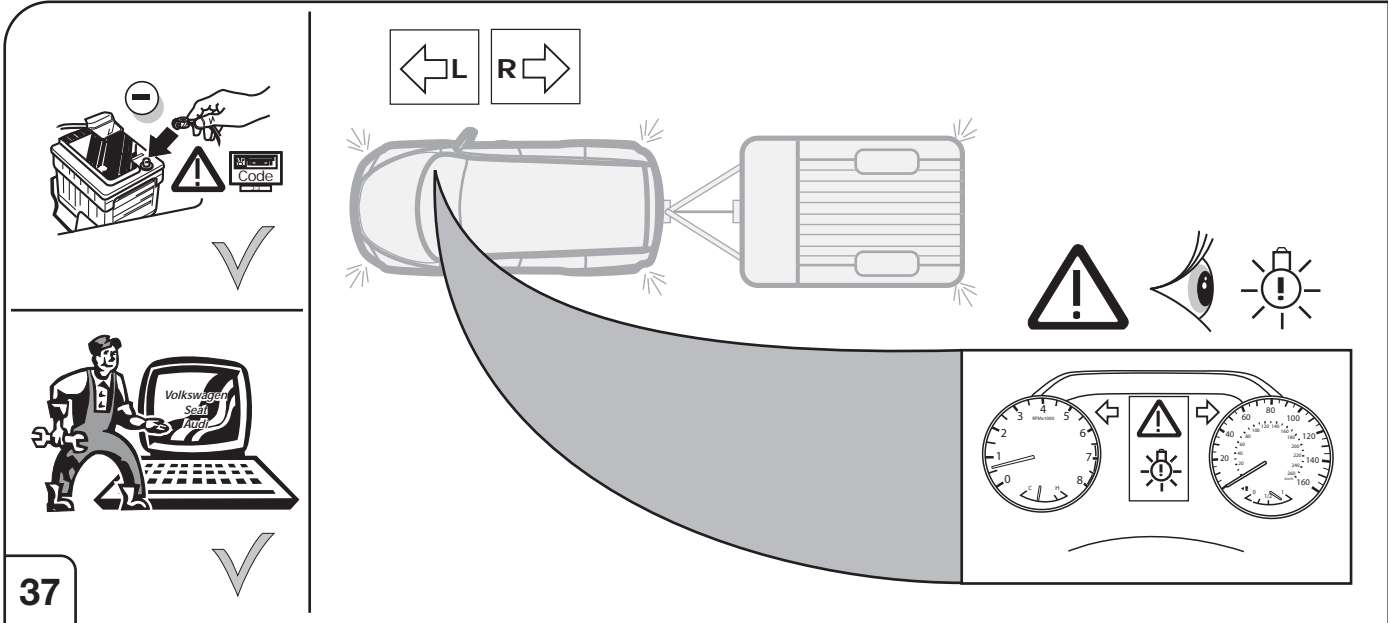
34



35



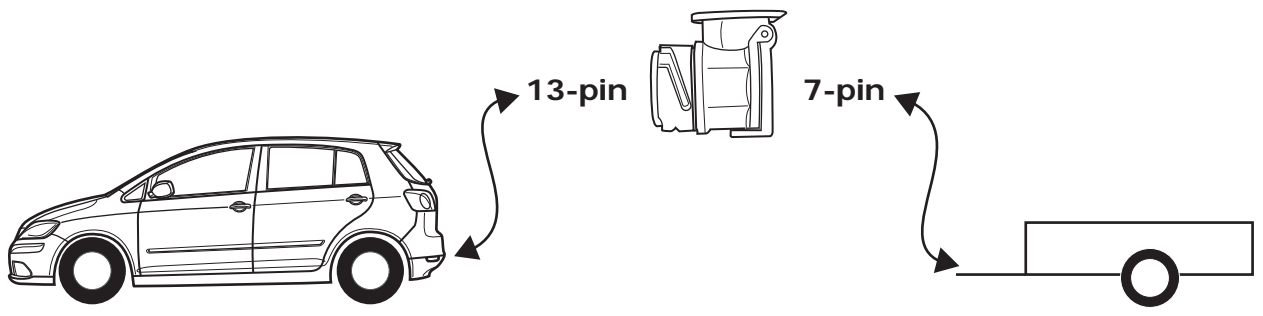
36



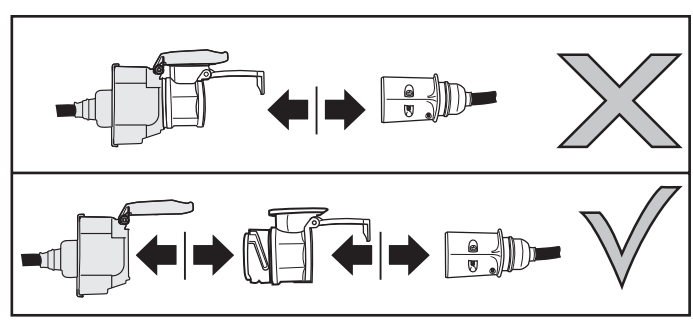
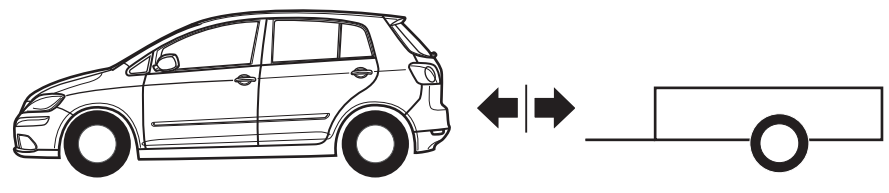
37

**Optional**

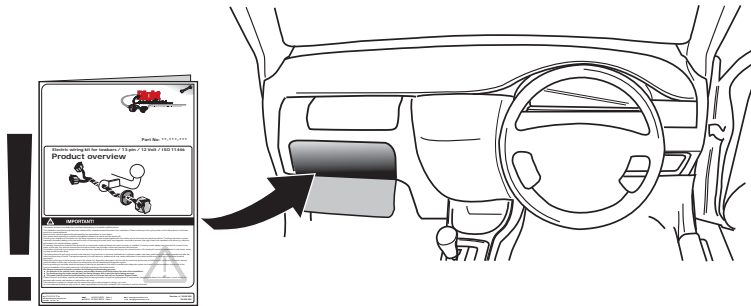
**Adapter socket**



38



39



40

## Set up trailer operation



<b>Golf VI</b>	<b>10/08-&gt;</b>
<b>Golf Plus</b>	<b>03/09-&gt;</b>
<b>Golf VI Estate</b>	<b>09/09-&gt;</b>

### Please effect coding as follows:

- Vehicle self-diagnosis
- Gateway assembly list
- 19 - diagnosis interface for data bus
- 007-Coding (service \$1A) \ Read / write long coding
- 69 - trailer function (switch to coded!)

### Vehicles with park assist systems

The automatic deactivation of the rear park assist system in trailer operation will be effected by means of the subsequent coding of the park assist control unit:

- Vehicle self-diagnosis
- Gateway assembly list
- 10 - park assist system II / parallel park assist
- 008 Coding (service \$22)
- Byte 0 - bit pattern xxxxxx1  
(x = accept the default values in the input field for this purpose activate input mode (BIN) !)
- confirm with OK !

### NOTE:

If the vehicle's rear fog lamp does not switch off automatically in trailer mode the following code must be entered in addition to the aforementioned configuration of the central electrical system:

#### Vehicle self-diagnosis

- 09 Electronic central electrical system
- 007 Coding (service 1A)
- Vehicle's electrical system controller coding long
- Byte 8 - bit pattern x1xxxxxx  
(x = accept the default values in the input field for this purpose activate input mode (BIN) !)
- confirm with OK !

## Set up trailer operation



Eos 01/11->

### General

After the installation of the electric kit, the obligatory trailer lighting, Towing vehicle and trailer stabilisation, as well as the trailer indicator control which is statutory in a several countries are guaranteed without having to make any connections on the vehicle!

The message "Control unit incorrectly coded" will, however, appear in the fault memory (19 - Diagnosis interface for data bus)! Yet this entry has no effect on the other functions and can be ignored until your next regular service appointment. We recommend the connection via the factory-mounted service tester within the framework of the annual service intervals!

### Please effect coding as follows:

- Vehicle self-diagnosis
- self-diagnosis
- 19 - diagnosis interface for data bus
- 008-Coding (service 22)
- 008.02 assembly list coding
- 69 - trailer function (switch to coded!)
- confirm with OK !

### Vehicles with park assist systems:

The automatic deactivation of the rear park assist system in trailer operation will be effected by means of the subsequent coding of the park assist control unit:

- Vehicle self-diagnosis
- 10 - park assist system II
- 009 Coding
- Master
- 009.02 plain text coding
- select trailer system
- confirm with OK !

### Vehicles with front sensors:

On vehicles with front sensors, the control unit must be coded as follows:

- Vehicle self-diagnosis
- A5 front sensors
- coding
- Master
- clear text encoding
- trailer → with hitch
- press "continue"

### NOTE:



Systems such as power assisted steering, Lane Change Assistant and Side Assist must be de-activated during towing. Please consult your owner handbook or dealer for further information!

### Vehicles with start-stop system:

→ The start-stop system is deactivated in trailer mode!

### Towing vehicle and trailer stabilisation:

In most vehicles as of model year 2009 the automatic activation the towing vehicle and trailer stabilisation can be checked as follows:

- Connect trailer to vehicle electrically
- After the ignition has been turned on the control lamp  comes on two seconds longer than control lamp , (see also driver's manual!)

### or evaluation via vehicle diagnosis:

- Connect trailer to vehicle electrically
- Vehicle self-diagnosis
- 03 Brake electronics
- 011 Measured values
- Enter "10" and "Q"
- Trailer yes

## Set up trailer operation



Golf VI Cabriolet 06/11->

### Please effect coding as follows:

- Vehicle self-diagnosis
- self-diagnosis
- 19 - diagnosis interface for data bus
- 008-Coding (service 22)
- 008.02 assembly list coding
- 69 - trailer function (switch to coded!)
- confirm with OK !

### Vehicles with park assist systems:

The automatic deactivation of the rear park assist system in trailer operation will be effected by means of the subsequent coding of the park assist control unit:

- Vehicle self-diagnosis
- Gateway assembly list
- 10 - park assist system II / parallel park assist
- 008 Coding (service \$22)
- Byte 0 - bit pattern xxxxxx1  
(x = accept the default values in the input field for this purpose activate input mode (BIN) !)
- confirm with OK !


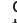
### NOTE:

### Vehicles with start-stop system:

→ The start-stop system is deactivated in trailer mode!

### Towing vehicle and trailer stabilisation:

In most vehicles as of model year 2009 the automatic activation the towing vehicle and trailer stabilisation can be checked as follows:

- Connect trailer to vehicle electrically
- After the ignition has been turned on the control lamp  comes on two seconds longer than control lamp , (see also driver's manual!)

### or evaluation via vehicle diagnosis:

- Connect trailer to vehicle electrically
- Vehicle self-diagnosis
- 03 Brake electronics
- 011 Measured values
- Enter "10" and "Q"
- Trailer yes